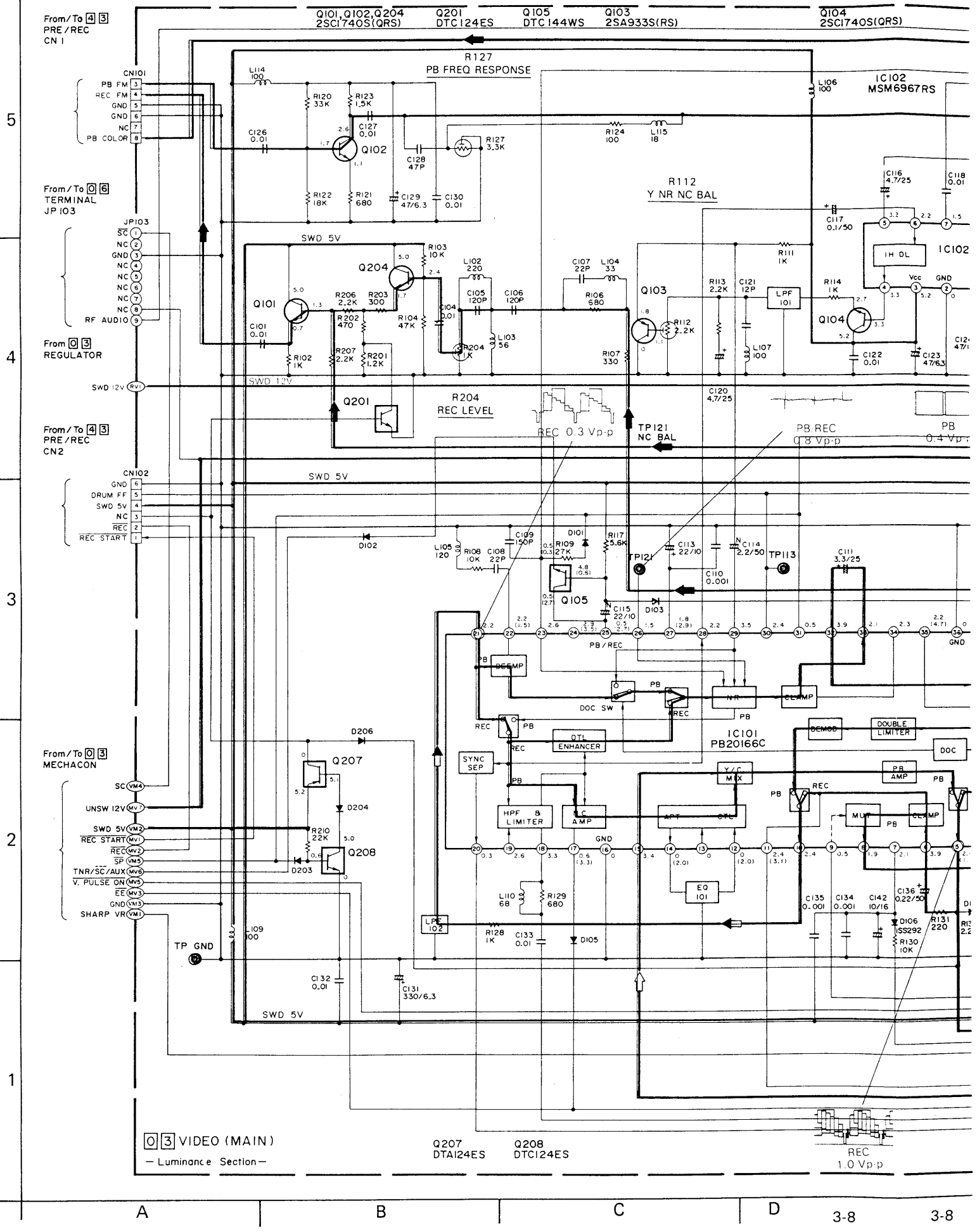


### 3.9 VIDEO SCHEMATIC DIAGRAM



03 VIDEO (MAIN)  
 — Luminance Section —

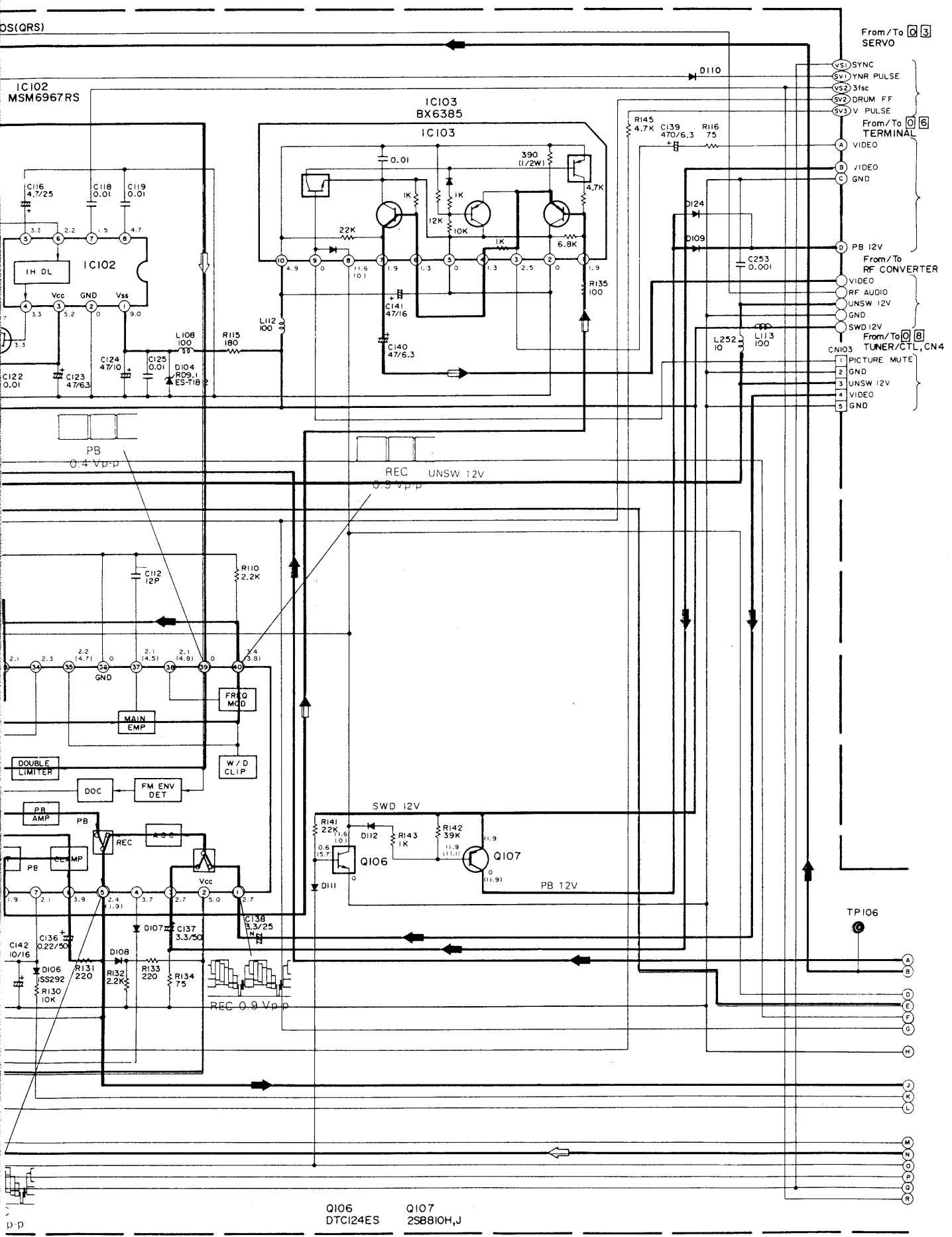
Q207 DTA124ES Q208 DTC124ES

REC 1.0 Vp-p

A B C D 3-8 3-8



NOTE: Shaded ( ) parts are critical for safety. Replace only with specified part numbers.



Q106 DTC124ES  
Q107 2SB810H,J

3-8

E

F

G

H

03 VIDEO (MAIN)  
- Color Section -

Q305 DTC124ES  
Q306 2SA933S(RS)  
IC301 PB20227A

SWD 5V

5

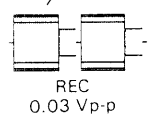
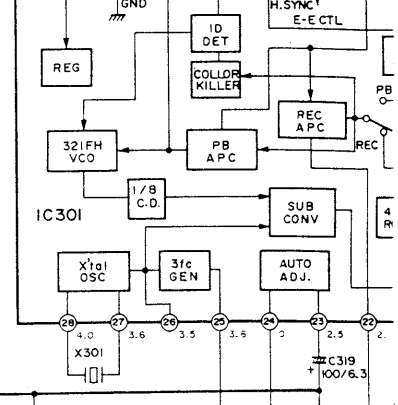
4

3

2

1

Q301~Q303, Q307  
2SC1740S(RS)



R321 SP REC COLOR

REC/PB  
4.5 Vp-p

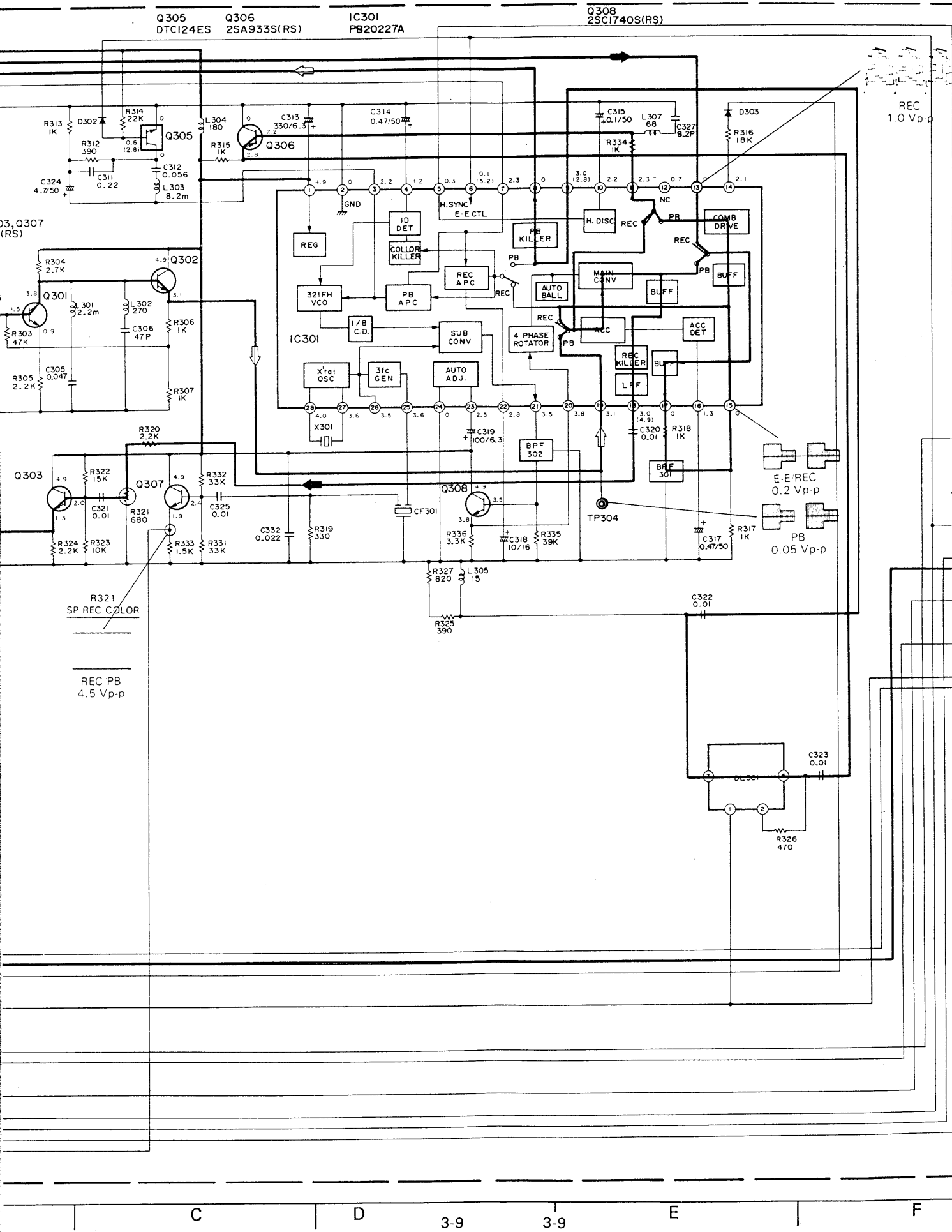
A

B

C

D

3-9



Q305  
DTC124ES

Q306  
2SA933S(RS)

IC301  
PB20227A

Q308  
2SC1740S(RS)

REC  
1.0 Vp-p

Q301, Q307  
(RS)

E-E/REC  
0.2 Vp-p

PB  
0.05 Vp-p

R321  
SP REC COLOR

REC PB  
4.5 Vp-p

C

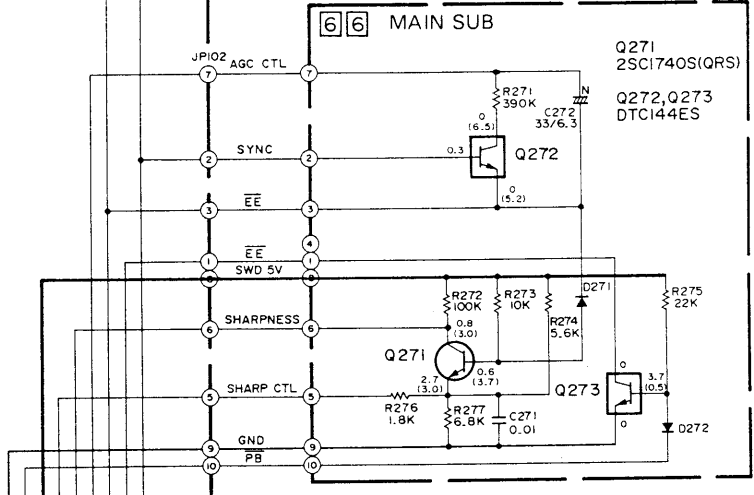
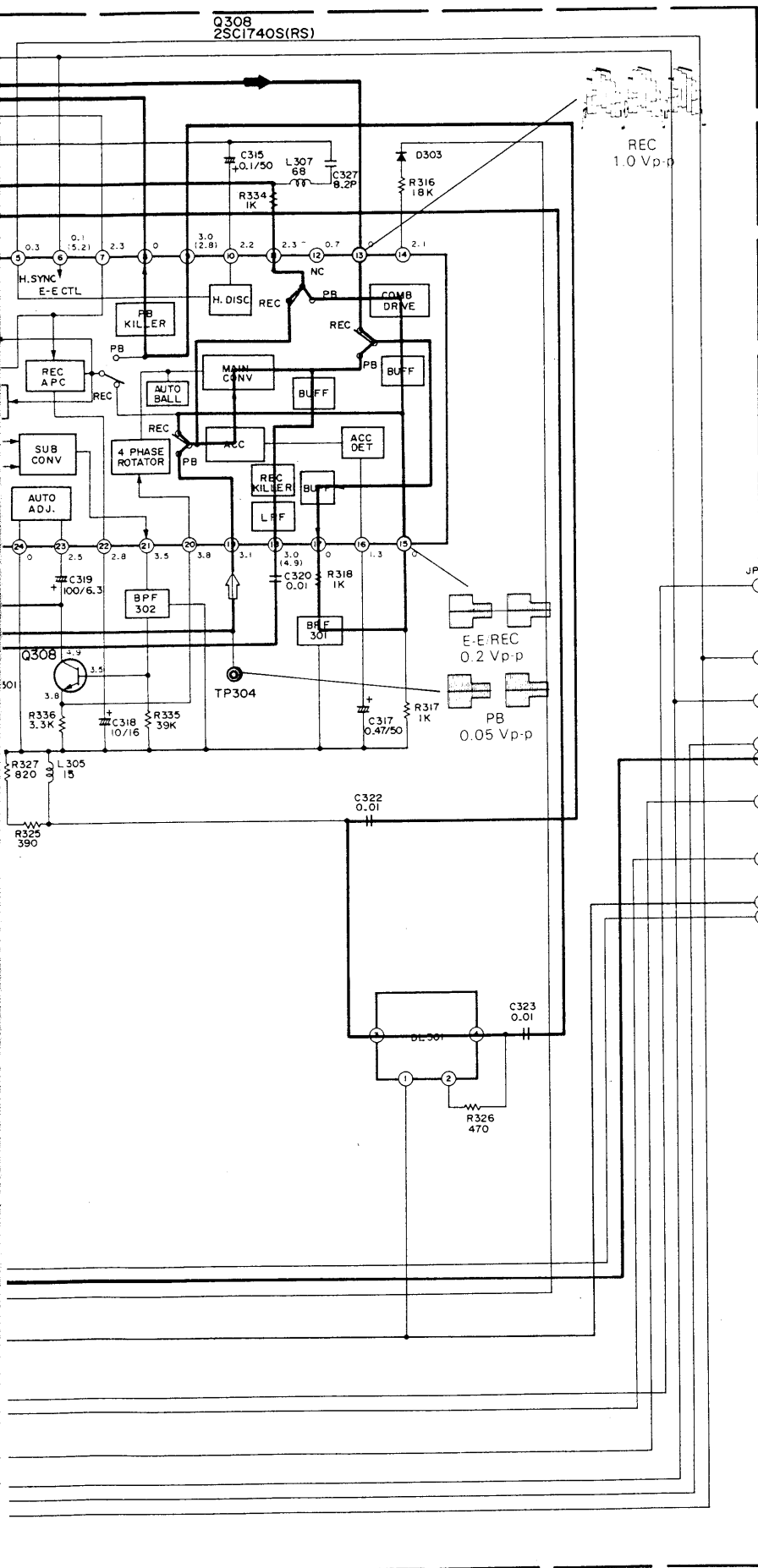
D

3-9

3-9

E

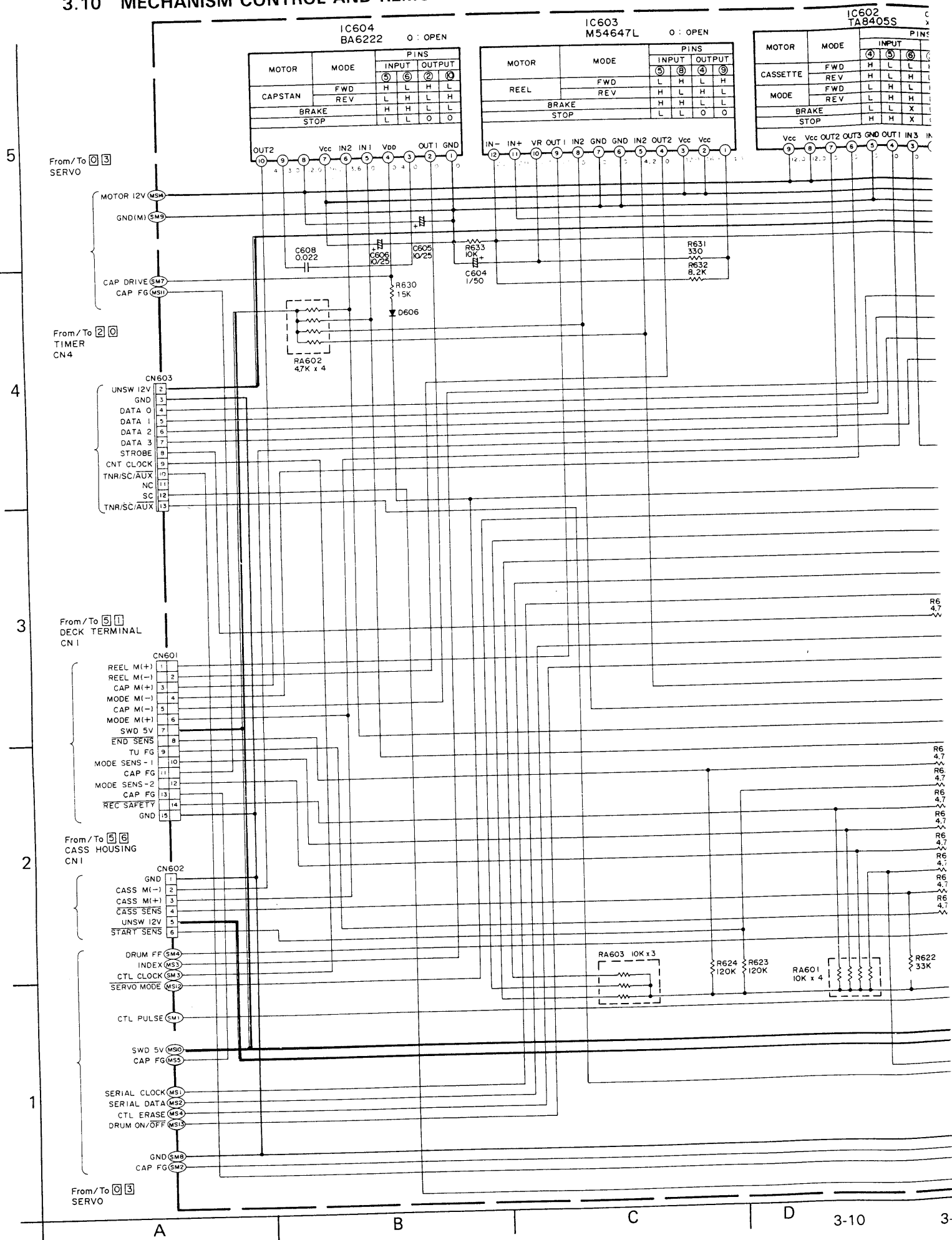
F



NOTE: Shaded (▨) parts are critical for safety. Replace only with specified part numbers.

3-9      3-9      E      F      G      H

# 3.10 MECHANISM CONTROL AND REMOTE PAUSE ADAPT SCHEMATIC DIAGRAMS



# D REMOTE PAUSE ADAPT SCHEMATIC DIAGRAMS

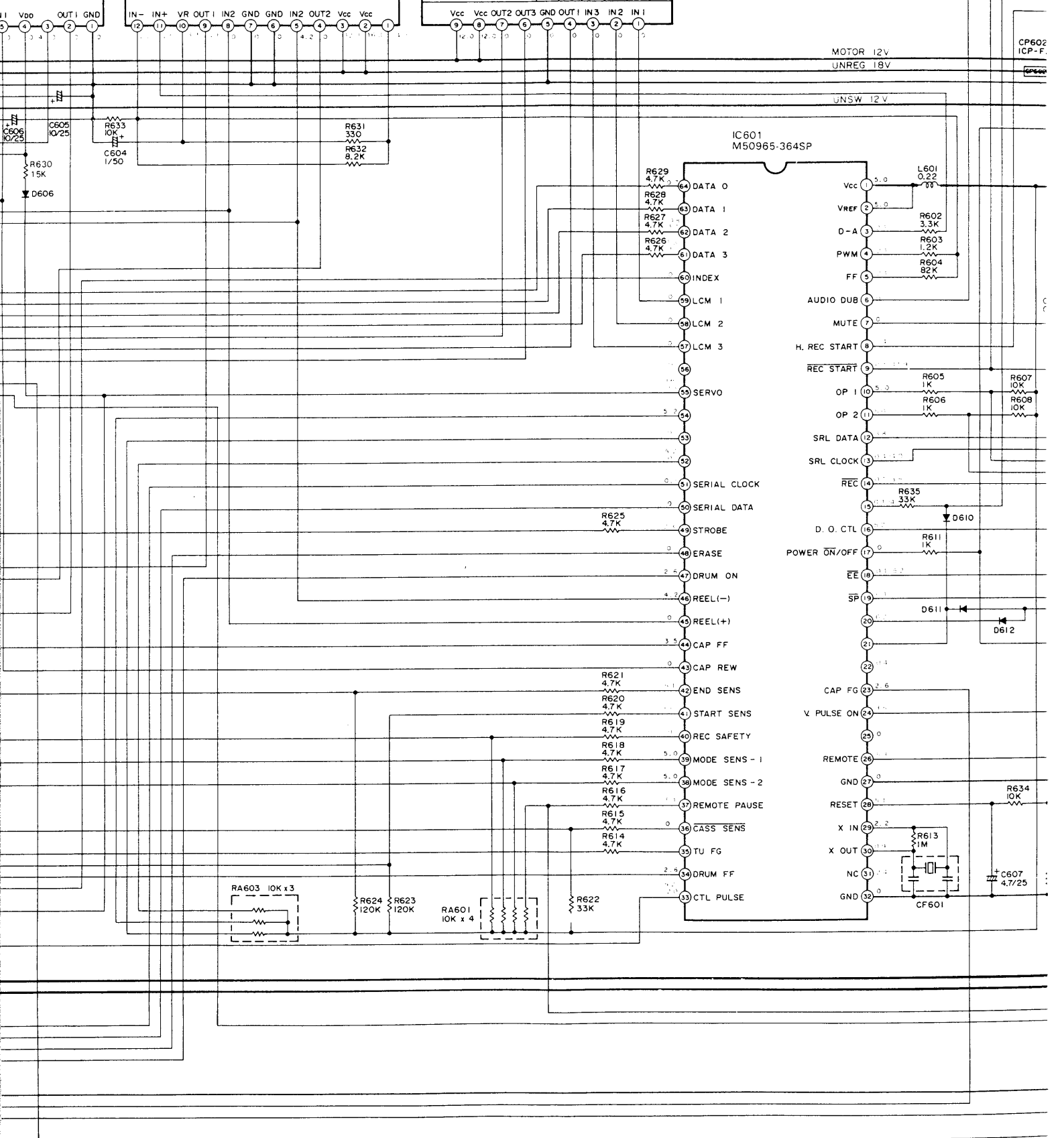
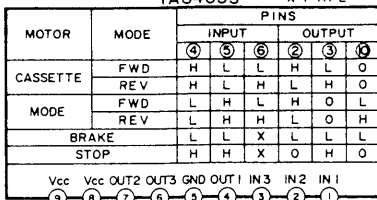
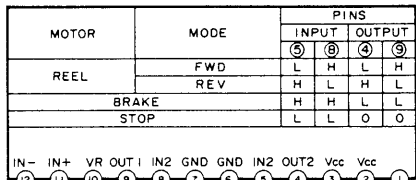
04  
222

O: OPEN

IC603  
M54647L O: OPEN

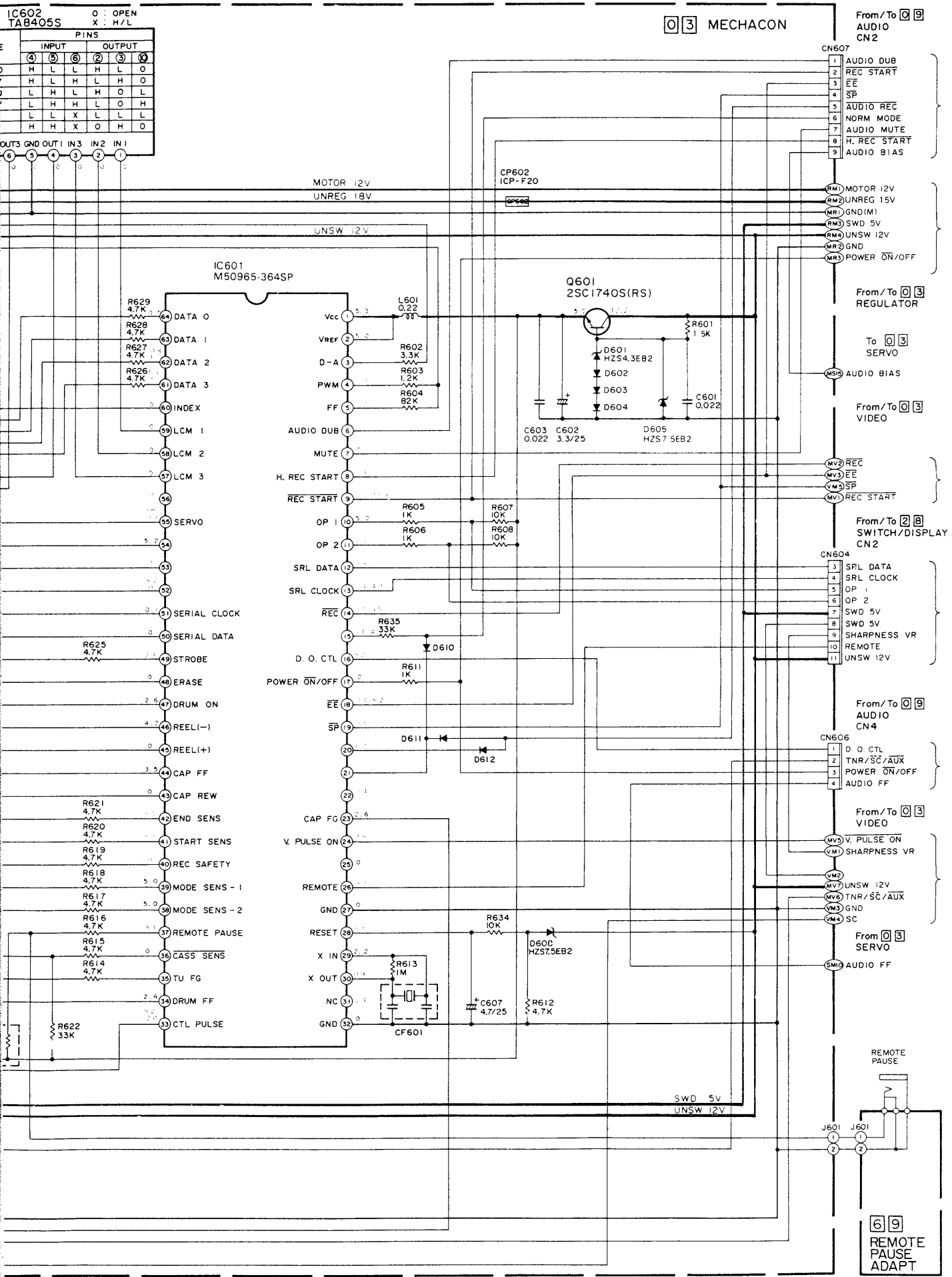
IC602  
TA8405S O: OPEN  
X: H/L

PINS	
INPUT	OUTPUT
⑤	⑩
H L H L	L H L H
L H L H	H L H L
H H L L	L L O O





NOTE: Shaded (▨) parts are critical for safety. Replace only with specified part numbers.



IC602  
TAB405S

O : OPEN  
X : H/L

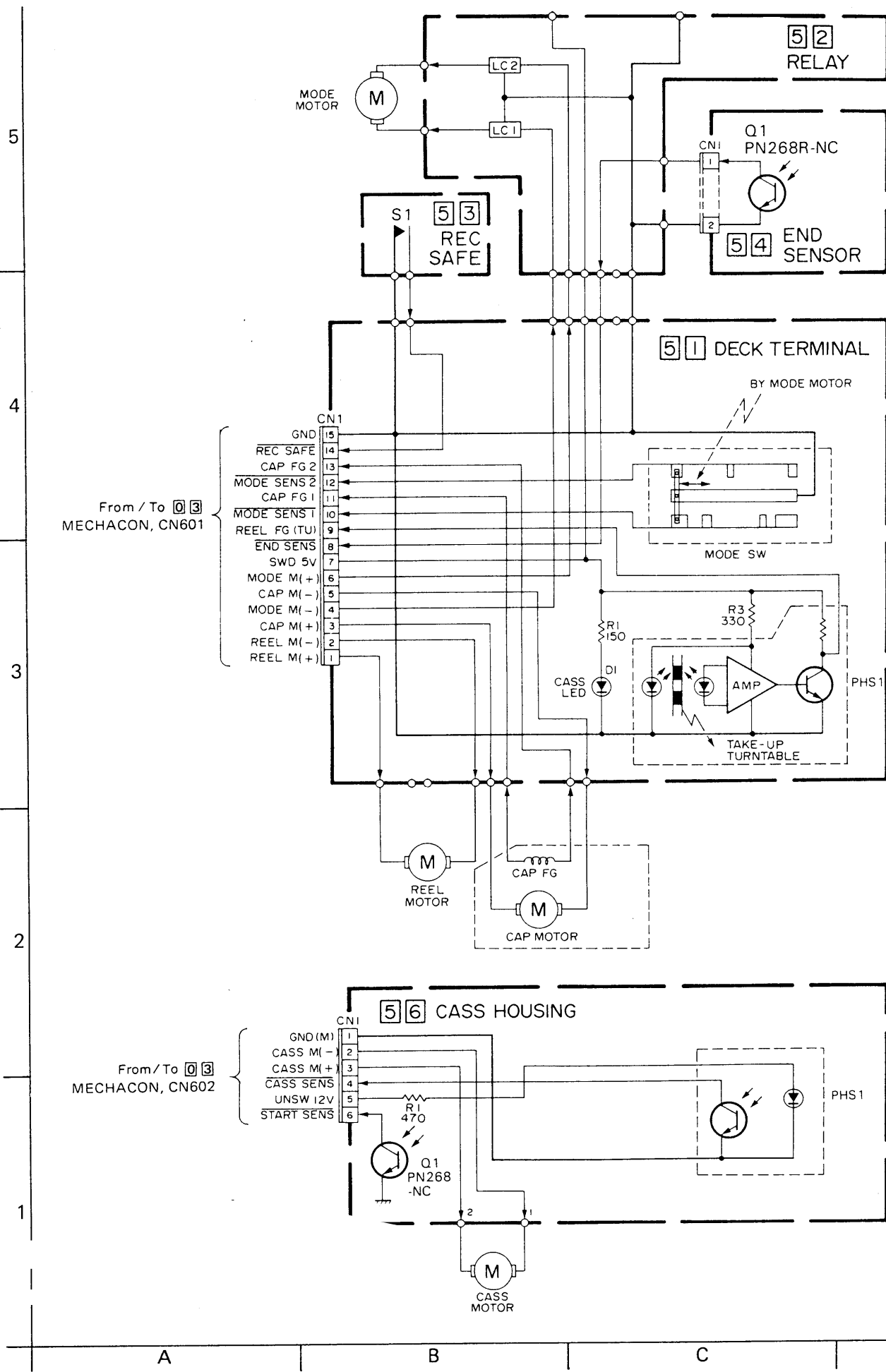
		INPUT				OUTPUT			
		④	③	⑥	②	③	③	③	③
②	H	L	L	L	H	L	O		
⑦	H	L	H	L	H	O			
⑧	L	H	L	H	O	L			
⑨	L	H	H	L	O	H			
⑩	L	L	X	L	L	L			
⑪	H	H	X	O	H	O			

OUT3 GND OUT1 IN3 IN2 IN1

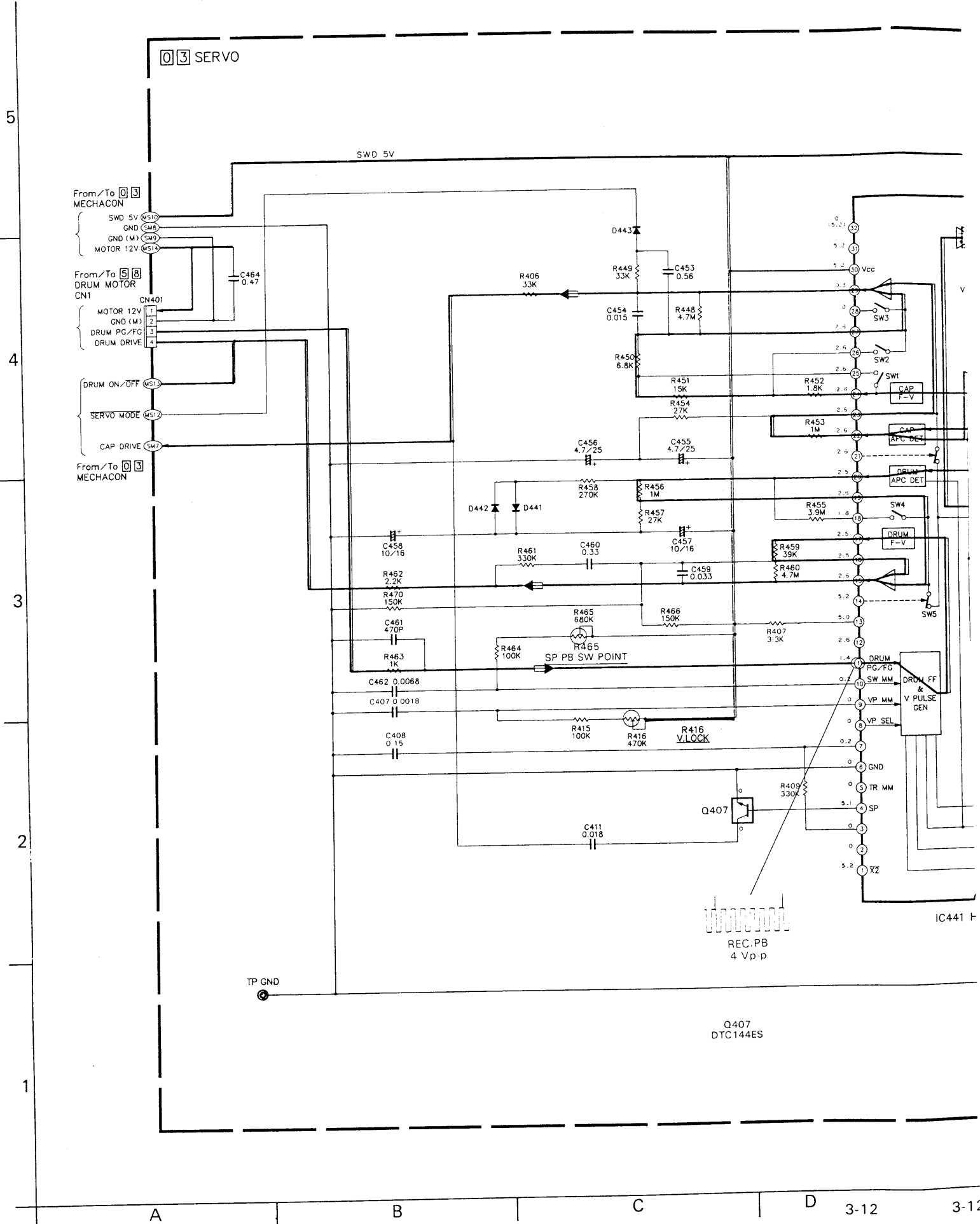
03 MECHACON

- From/To 09 AUDIO CN2
- CN607
  - 1 AUDIO DUB
  - 2 REC START
  - 3 EE
  - 4 SP
  - 5 AUDIO REC
  - 6 NORM MODE
  - 7 AUDIO MUTE
  - 8 H. REC START
  - 9 AUDIO BIAS
- From/To 03 REGULATOR
  - RM1 MOTOR 12V
  - RM2 UNREG 15V
  - MR1 GND(IM)
  - RM3 SWD 5V
  - RM4 UNSW 12V
  - MR2 GND
  - MR3 POWER ON/OFF
- To 03 SERVO
  - MS9 AUDIO BIAS
- From/To 03 VIDEO
  - MV2 REC
  - MV3 EE
  - MV4 SP
  - MV1 REC START
- From/To 28 SWITCH/DISPLAY CN2
  - CN604
    - 1 SRL DATA
    - 4 SRL CLOCK
    - 5 OP 1
    - 6 OP 2
    - 7 SWD 5V
    - 8 SWD 5V
    - 9 SHARPNESS VR
    - 10 REMOTE
    - 11 UNSW 12V
- From/To 09 AUDIO CN4
  - CN606
    - 1 D.O. CTL
    - 2 TNR/SC/AUX
    - 3 POWER ON/OFF
    - 4 AUDIO FF
- From/To 03 VIDEO
  - MV5 V. PULSE ON
  - MV6 SHARPNESS VR
- From/To 03 SERVO
  - MV2 UNSW 12V
  - MV6 TNR/SC/AUX
  - MV3 GND
  - MS4 SC
- From 03 SERVO
  - SM9 AUDIO FF
- From 09 REMOTE PAUSE ADAPT
  - J601
  - J601

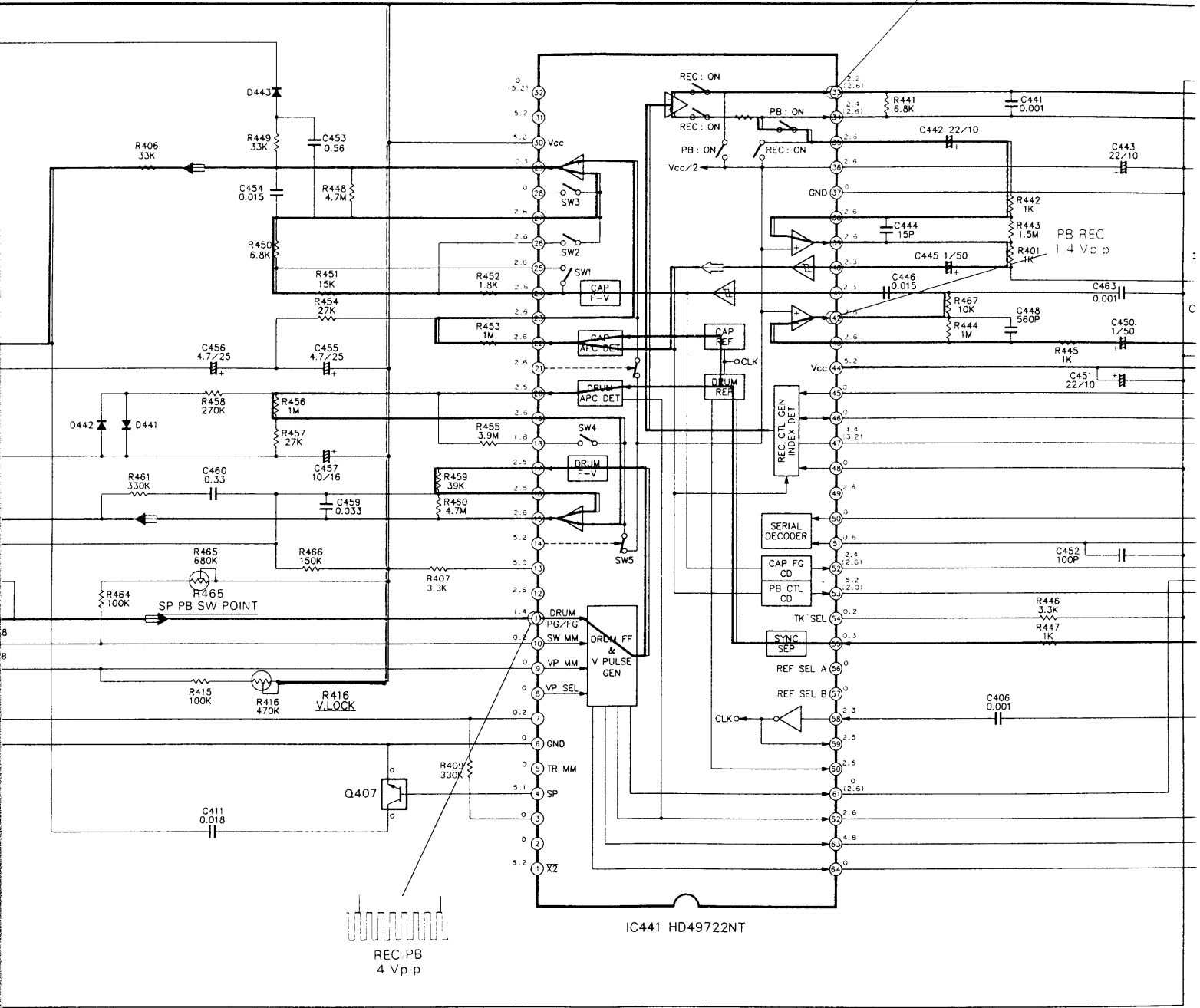
### 3.11 DECK TERMINAL SCHEMATIC DIAGRAMS



### 3.10 SERVO SCHEMATIC DIAGRAM



REC  
5.0 Vp-p



REC PB  
4 Vp-p

Q407  
DTC144ES

IC441 HD49722NT

C

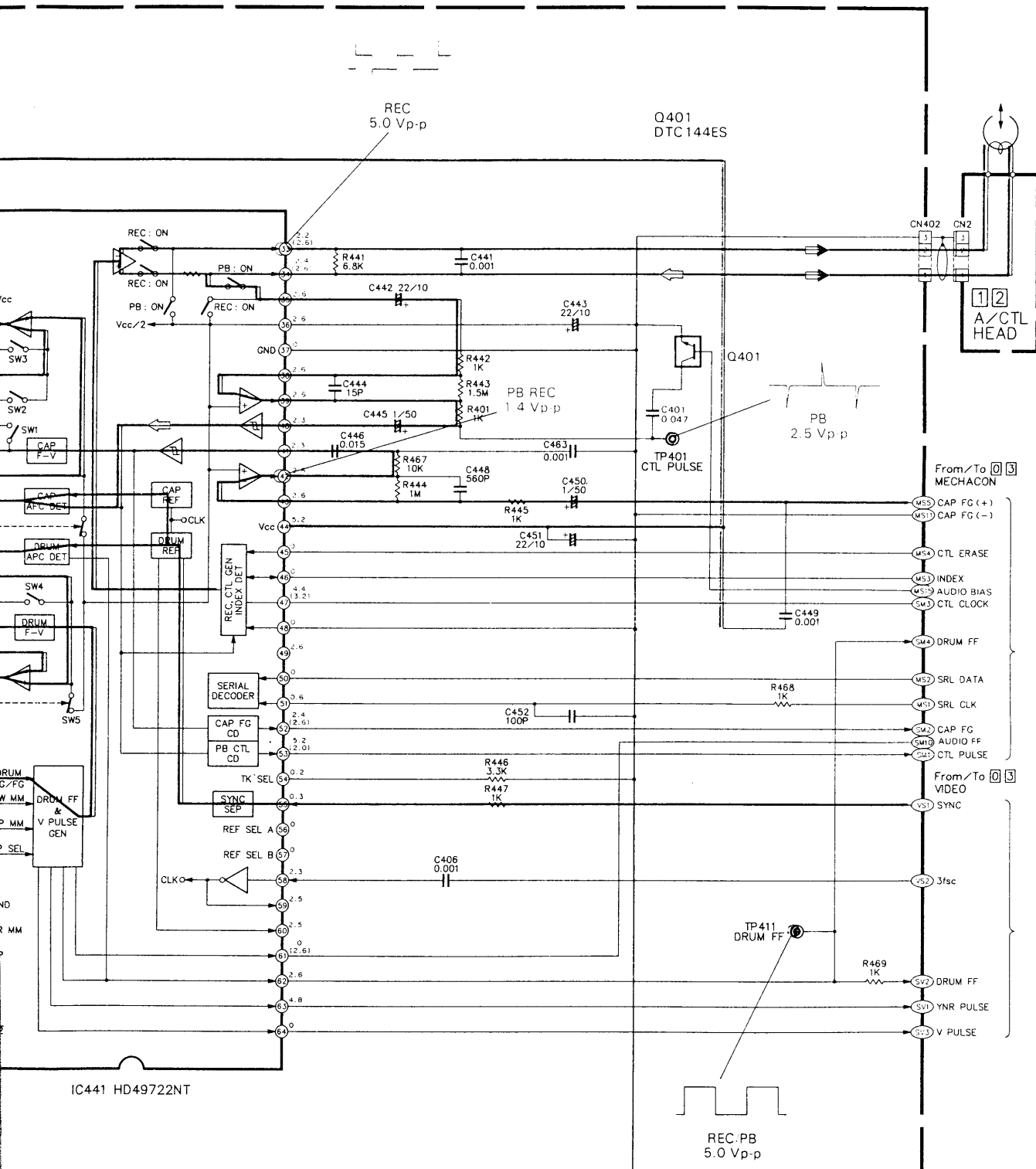
D

3-12

3-12

E

F

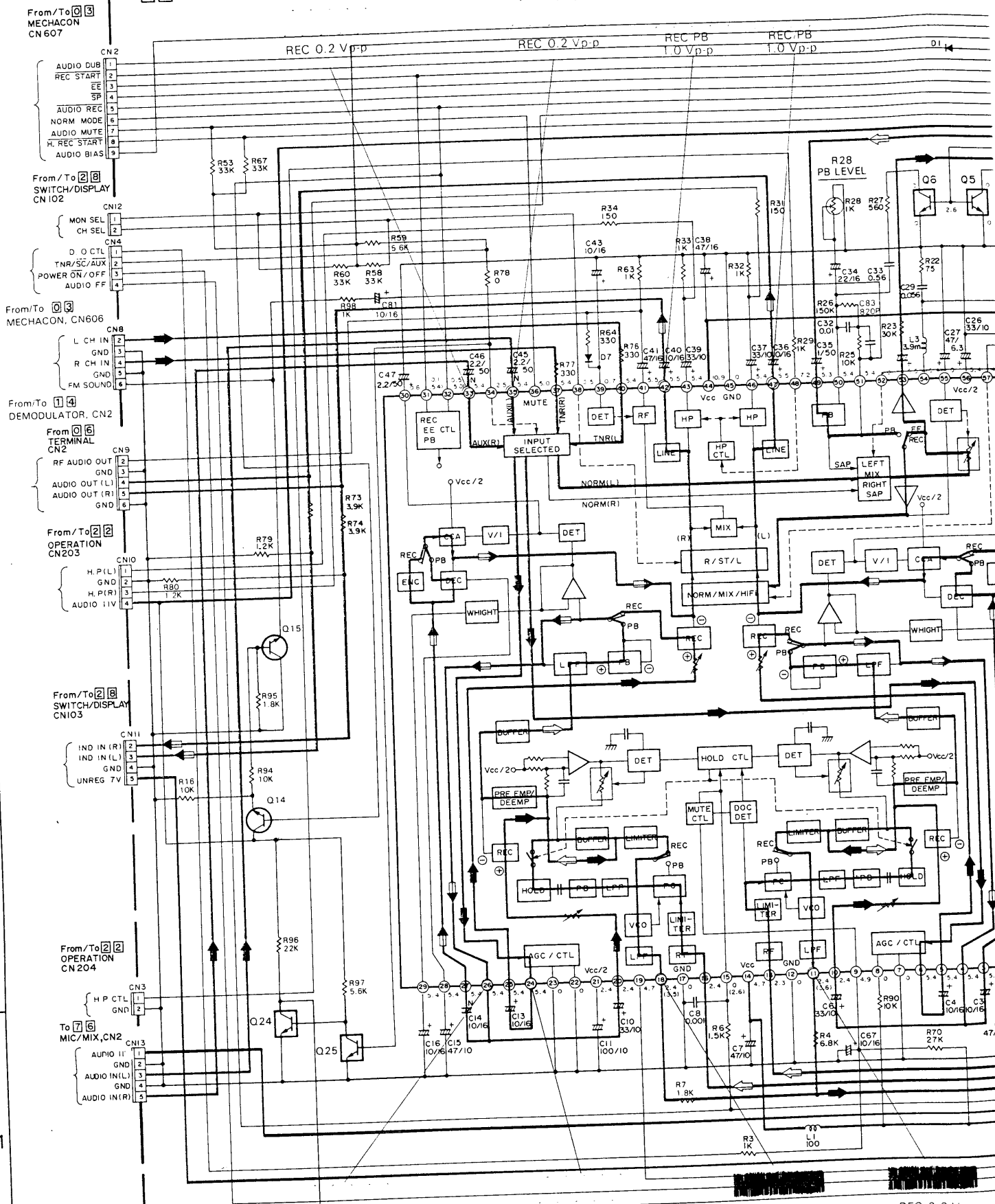


# 3.15 AUDIO SCHEMATIC DIAGRAM

Q3,Q5,Q6  
DTC144ES

5  
4  
3  
2  
1

## AUDIO



Q14, Q15 2SC1740S(RS)    Q24 REC PB DTC1244ES    Q25 DTC144ES    16BC 0.48 Vp-p PB20167A-01    REC 0.58 Vp-p    REC 0.6 Vp-p

A    B    C    D    3-14    3

Q3,Q5,Q6  
DTC114ES

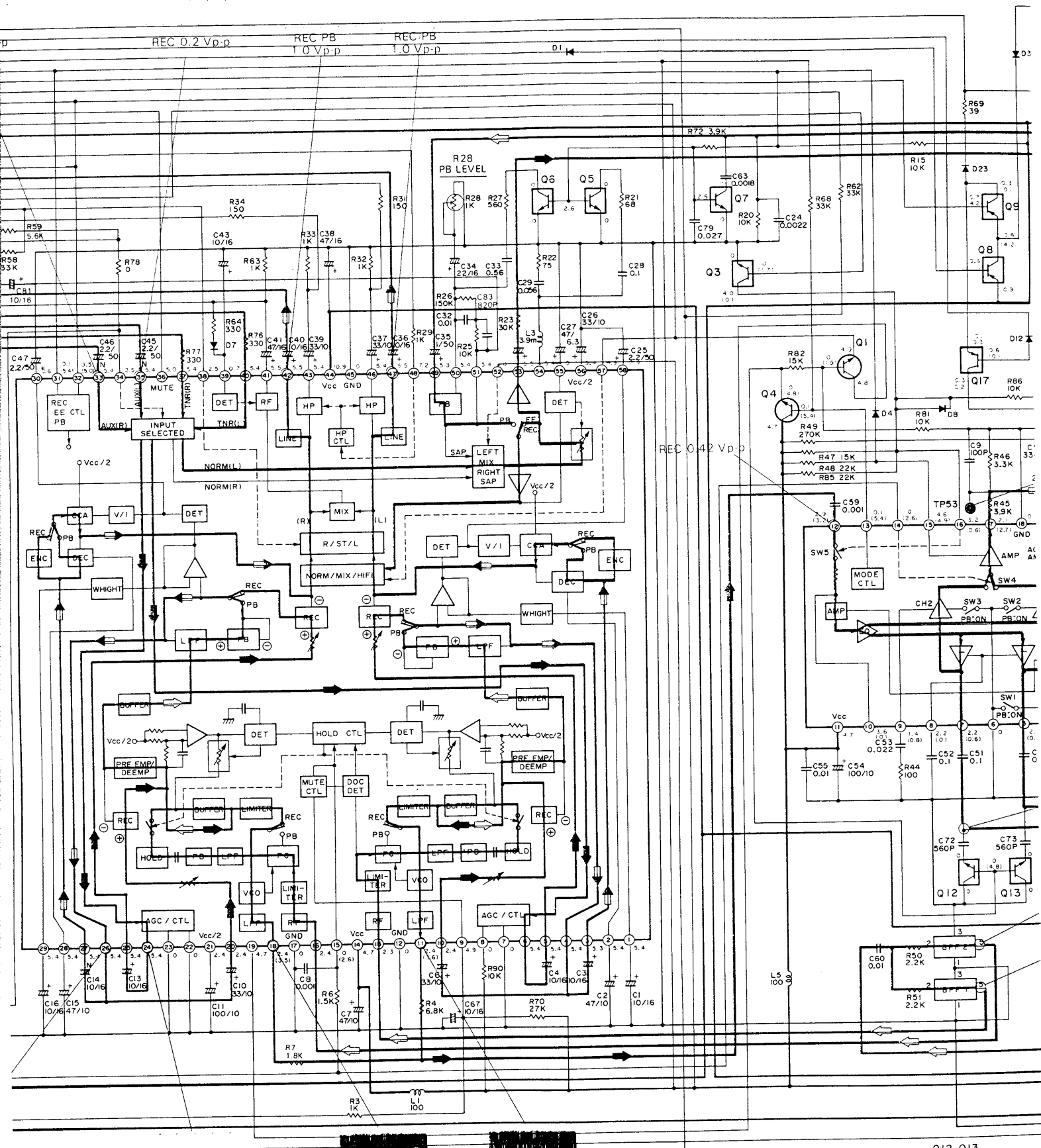
Q7  
DTC114ES

Q1,Q4  
2SC1740S(RS)

Q8,Q9  
DTA114ES

Q16  
2SC331(RS)

Q2  
2SC



Q25  
DTC144ES

REC 0.48 Vp-p  
PB20167A-01

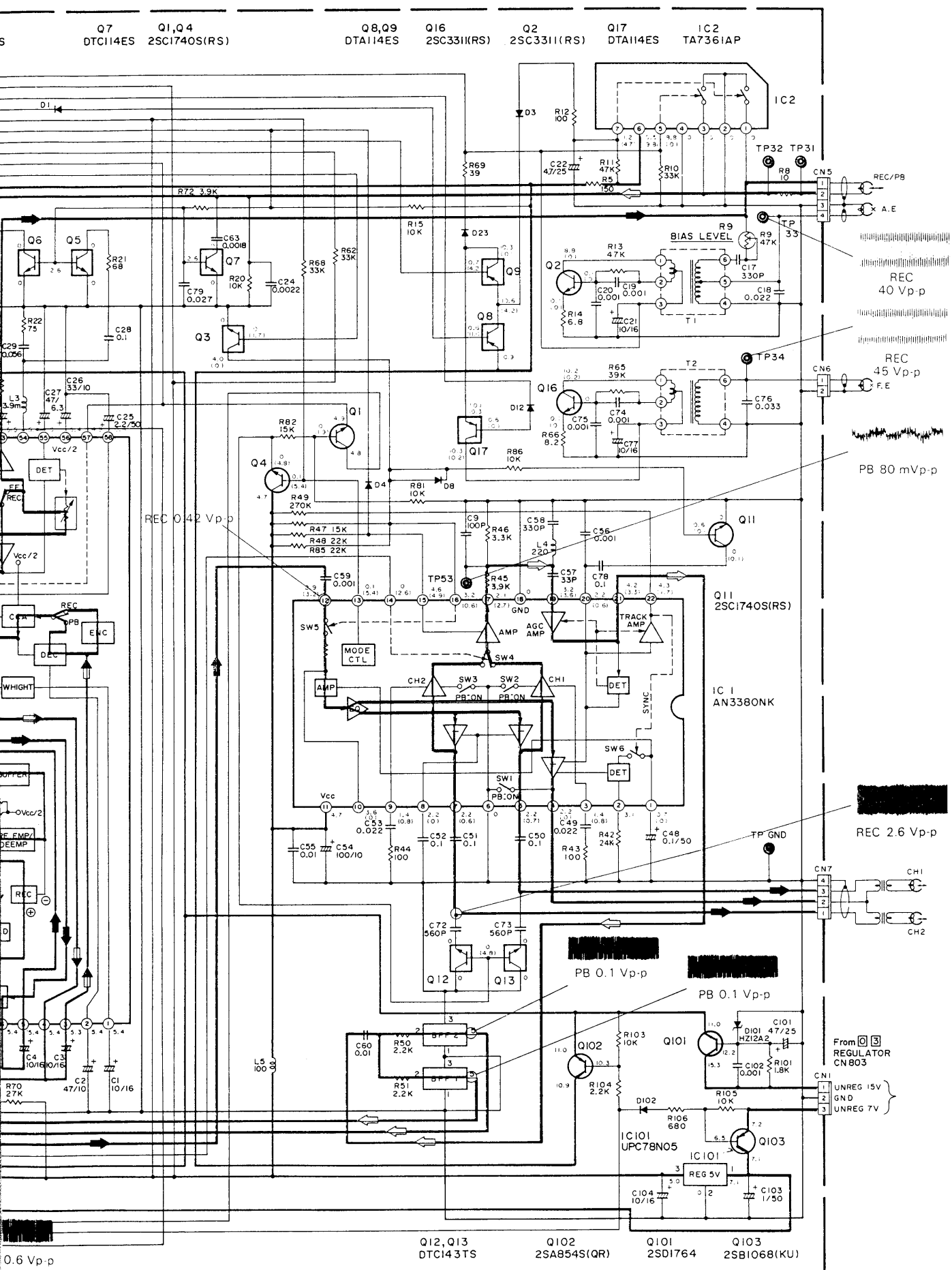
REC 0.58 Vp-p

REC 0.6 Vp-p

Q12,Q13  
DTC143TS

B C D 3-14 E F

NOTE: Shaded ( ) parts are critical for safety. Replace only with specified part numbers.





### 3.17 PRE/REC SCHEMATIC DIAGRAM

4 3 PRE / REC

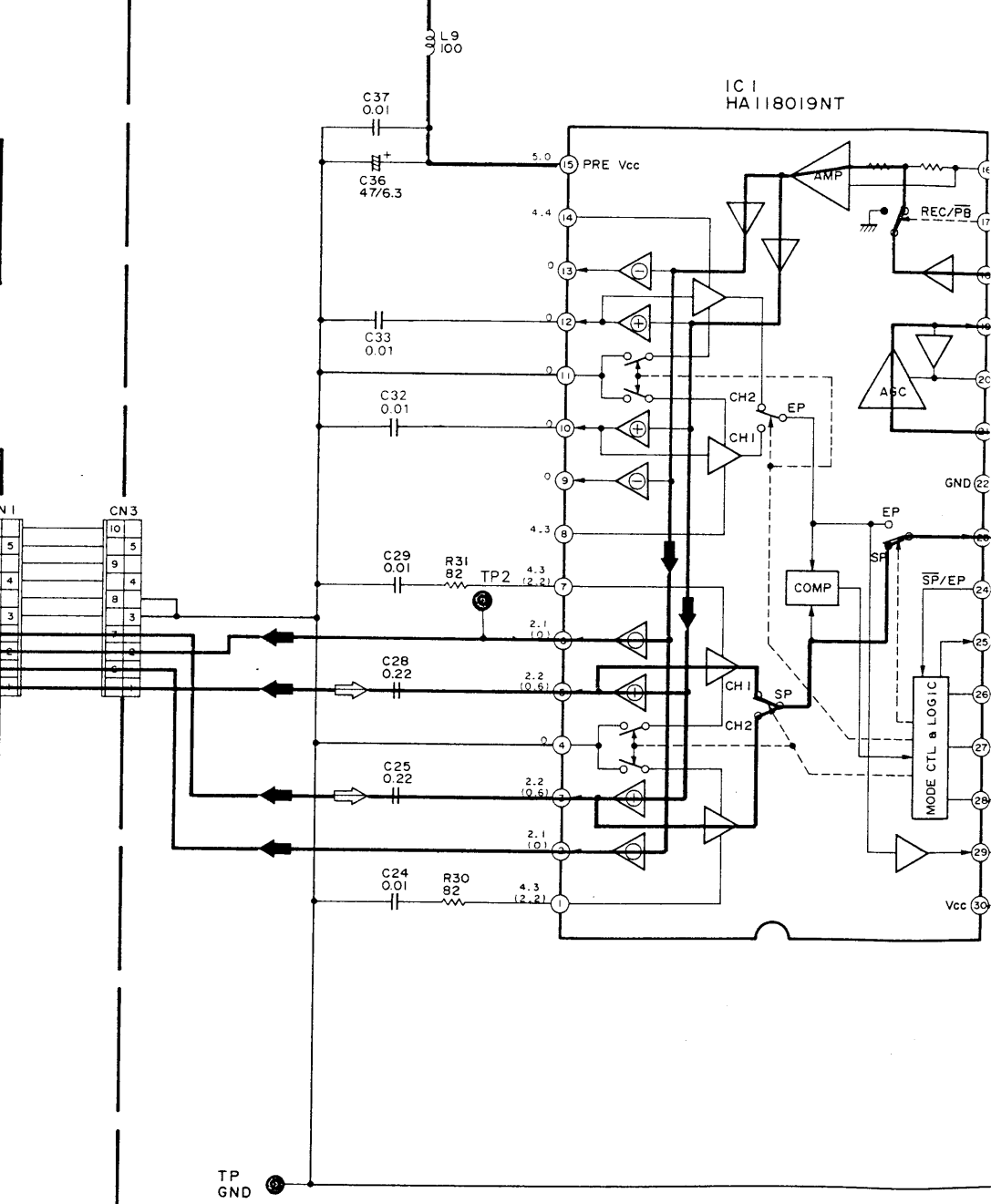
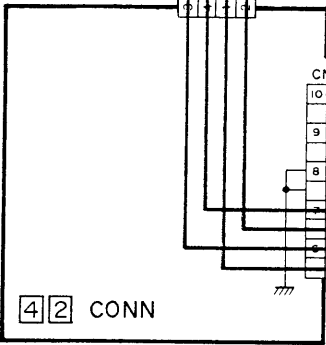
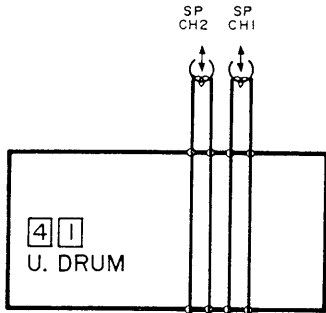
5

4

3

2

1



A

B

C

D

3-16

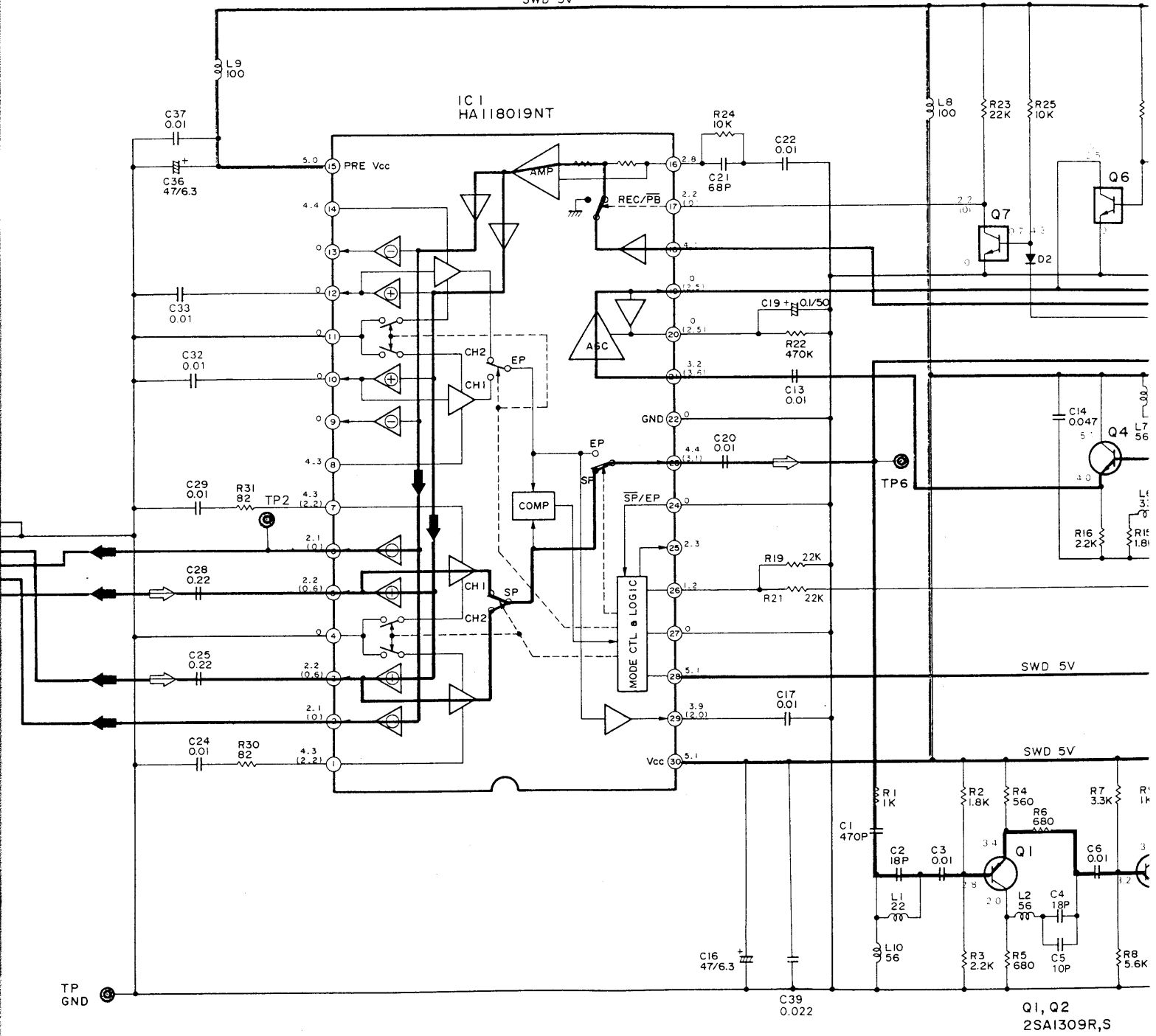
3-16

Q7  
DTC144WS

Q6, C  
DTC1

SWD 5V

IC 1  
HA118019NT

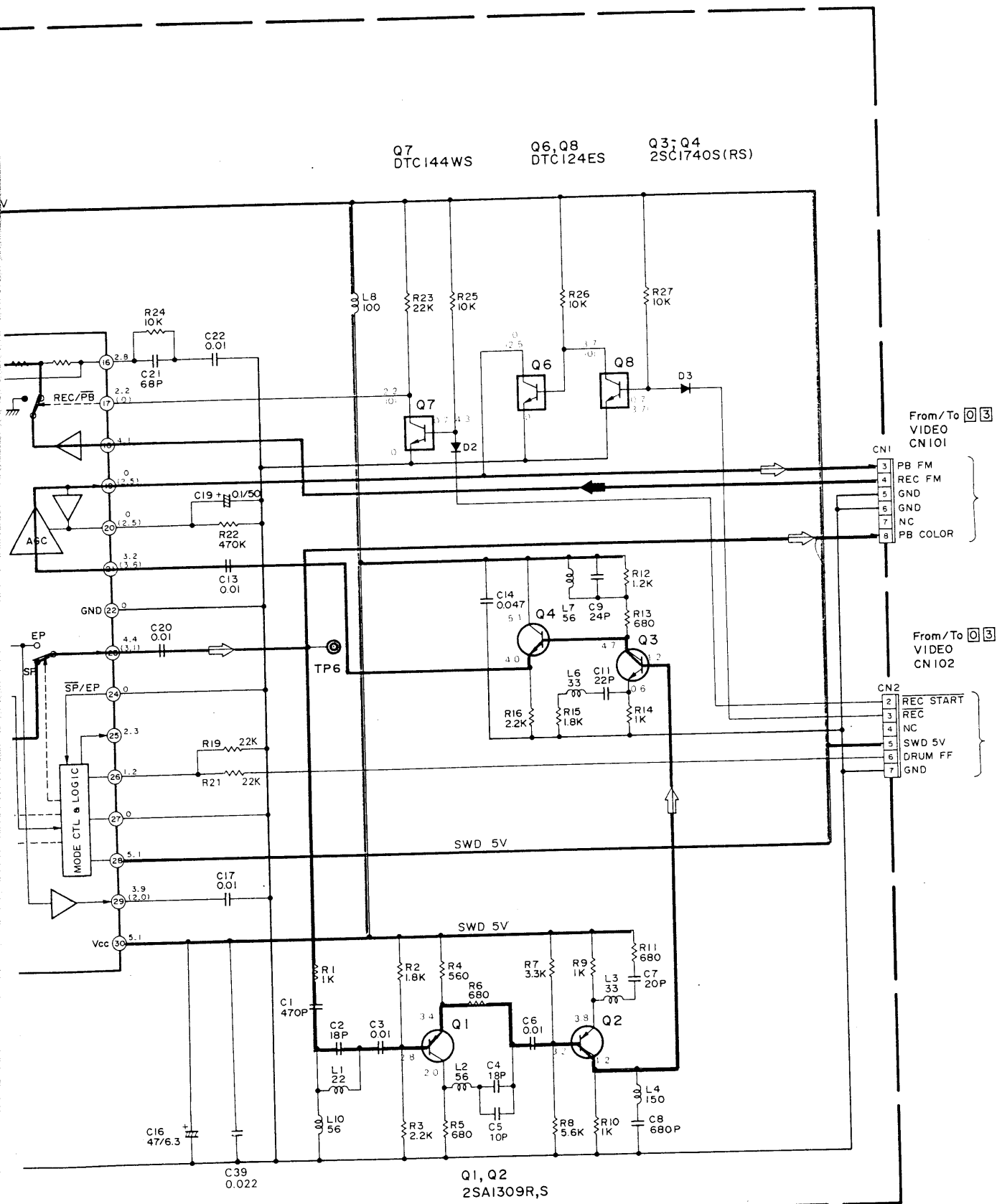


SWD 5V

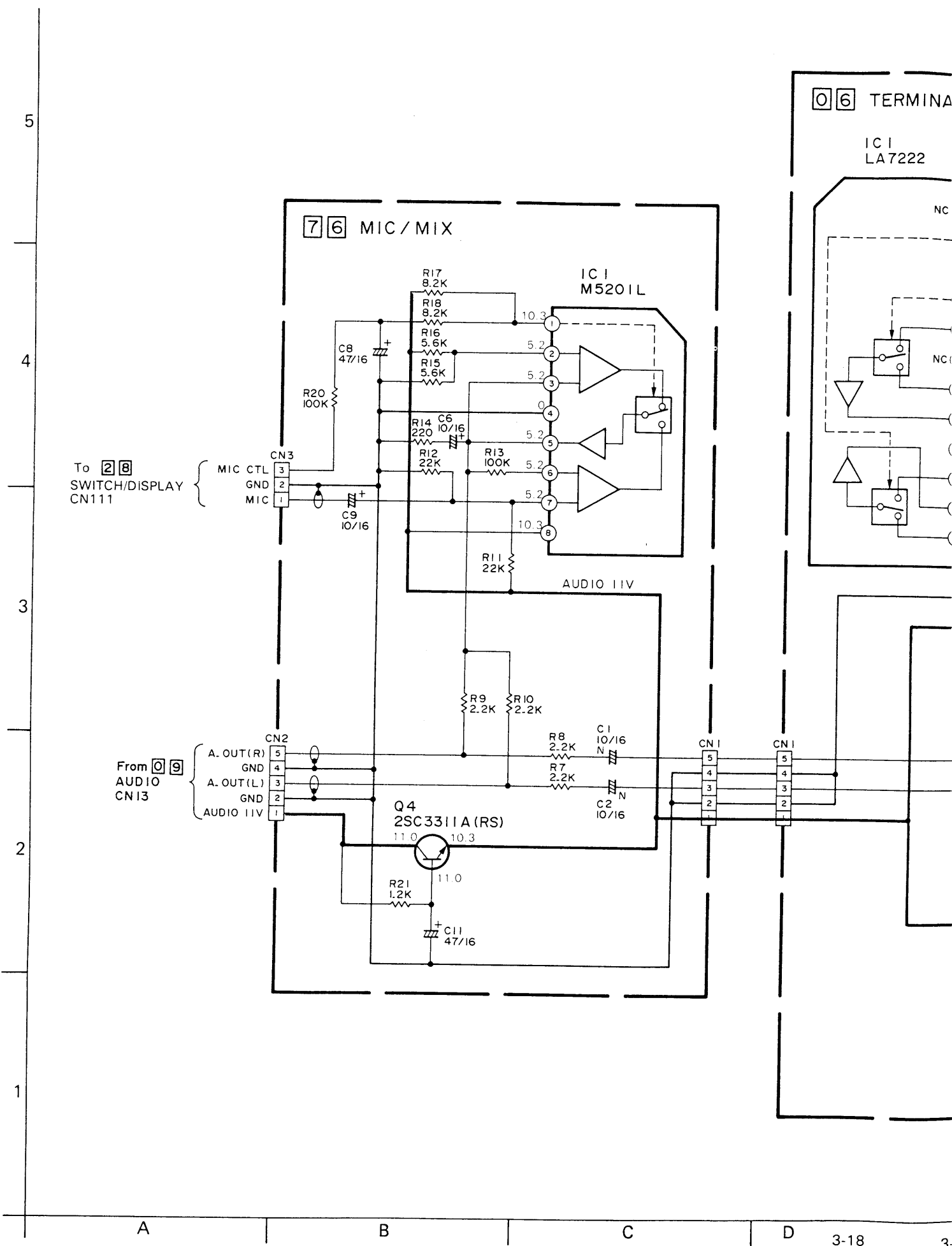
SWD 5V

SWD 5V

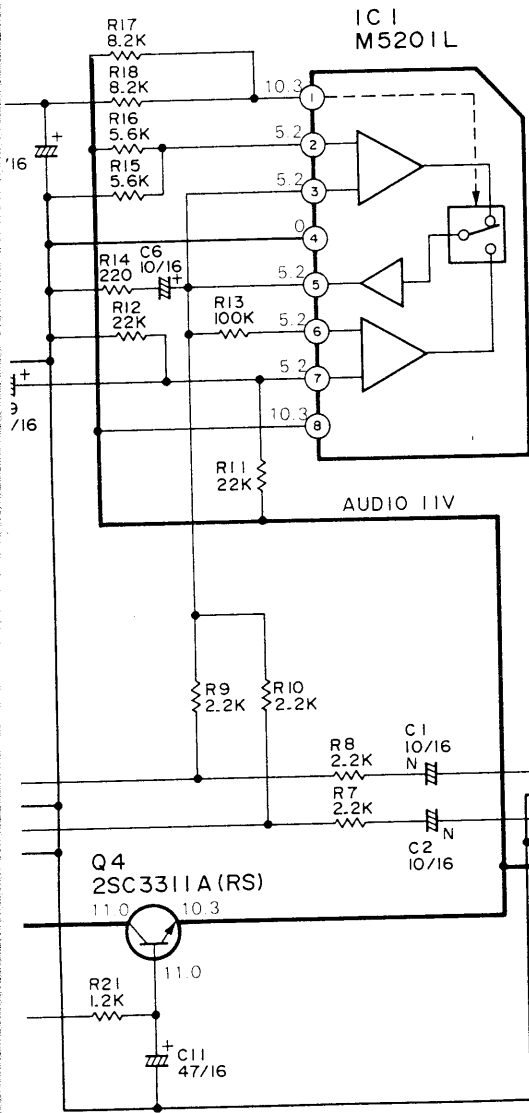
Q1, Q2  
2SA1309R,S



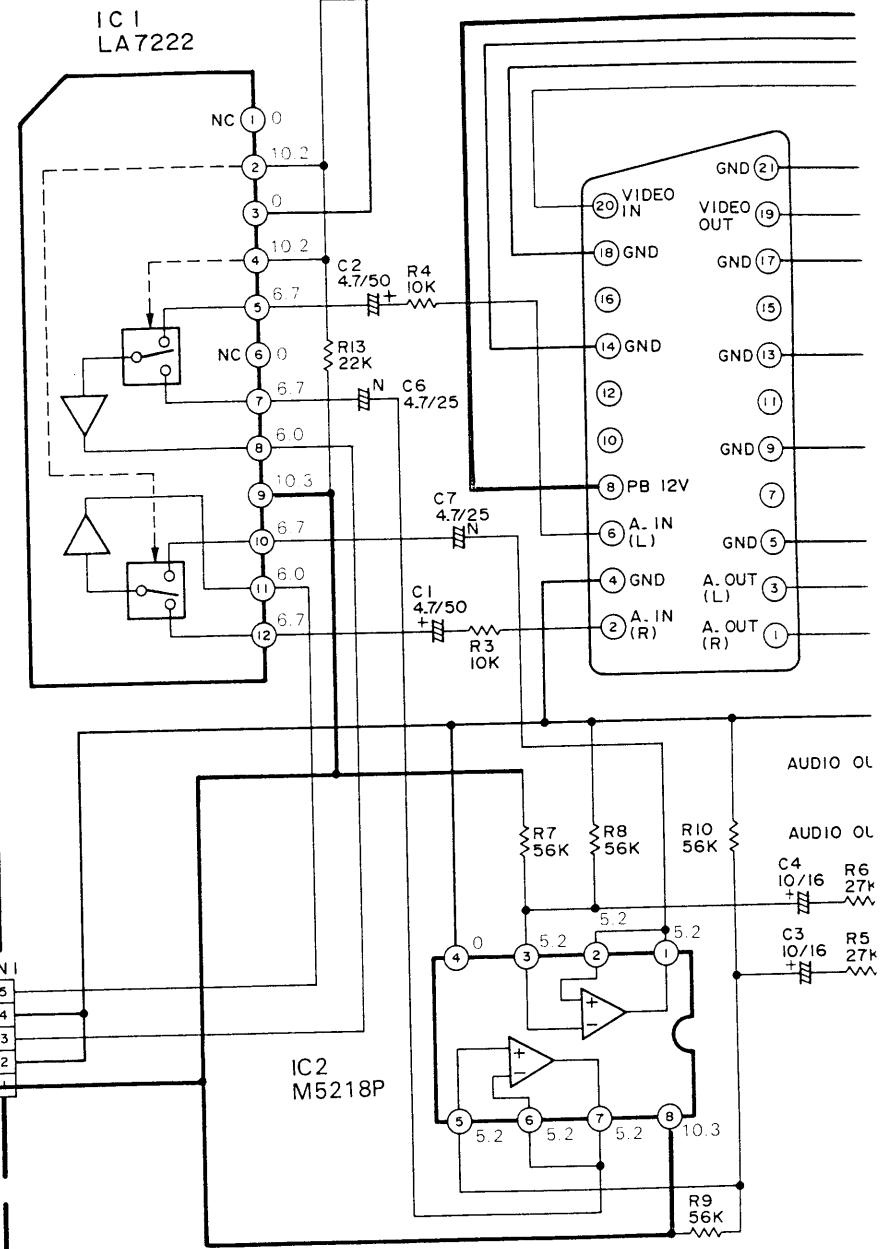
### 3.19 TERMINAL AND MIC/MIX SCHEMATIC DIAGRAMS



MIC/MIX

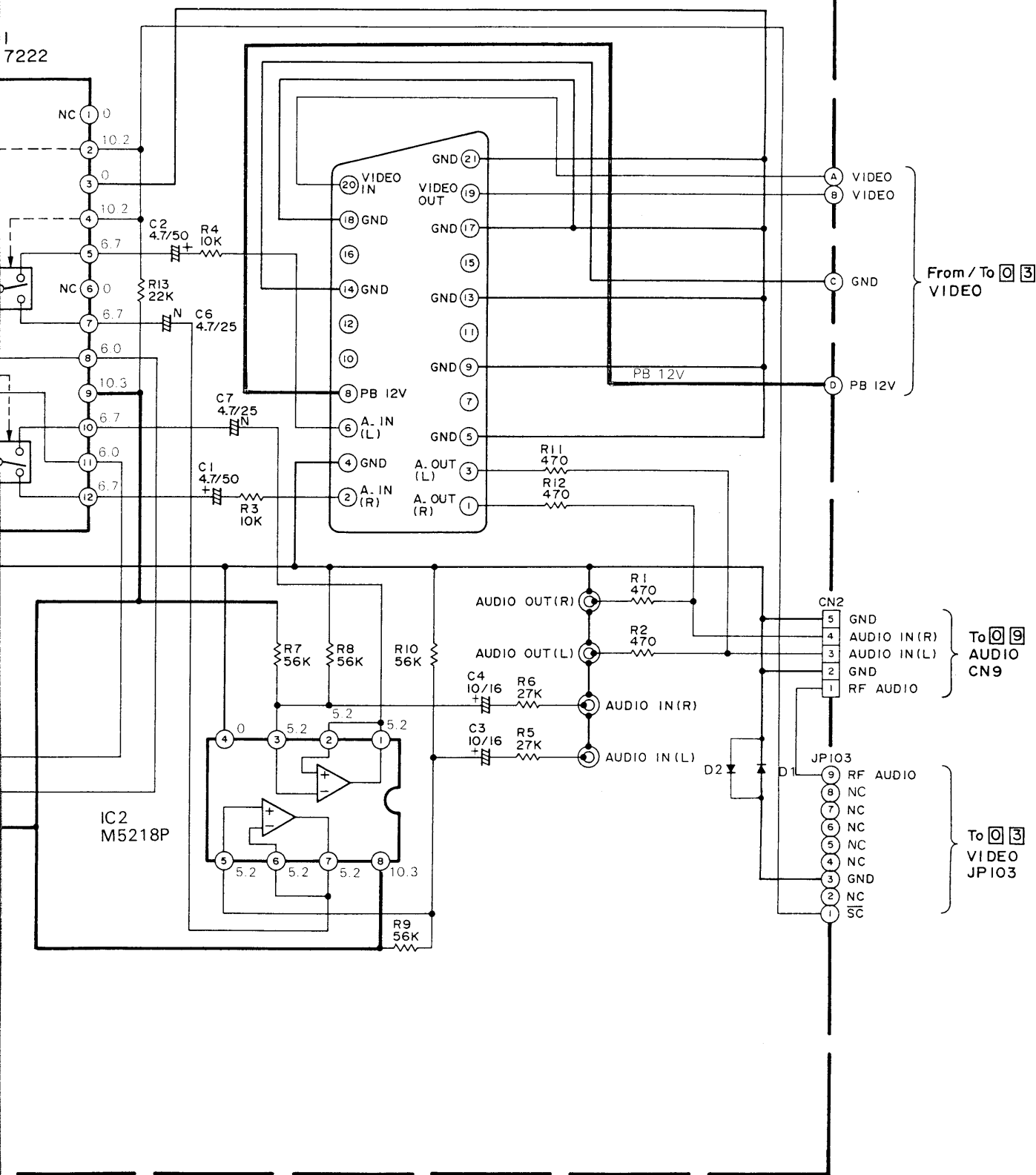


06 TERMINAL



TERMINAL

7222



3-18

E

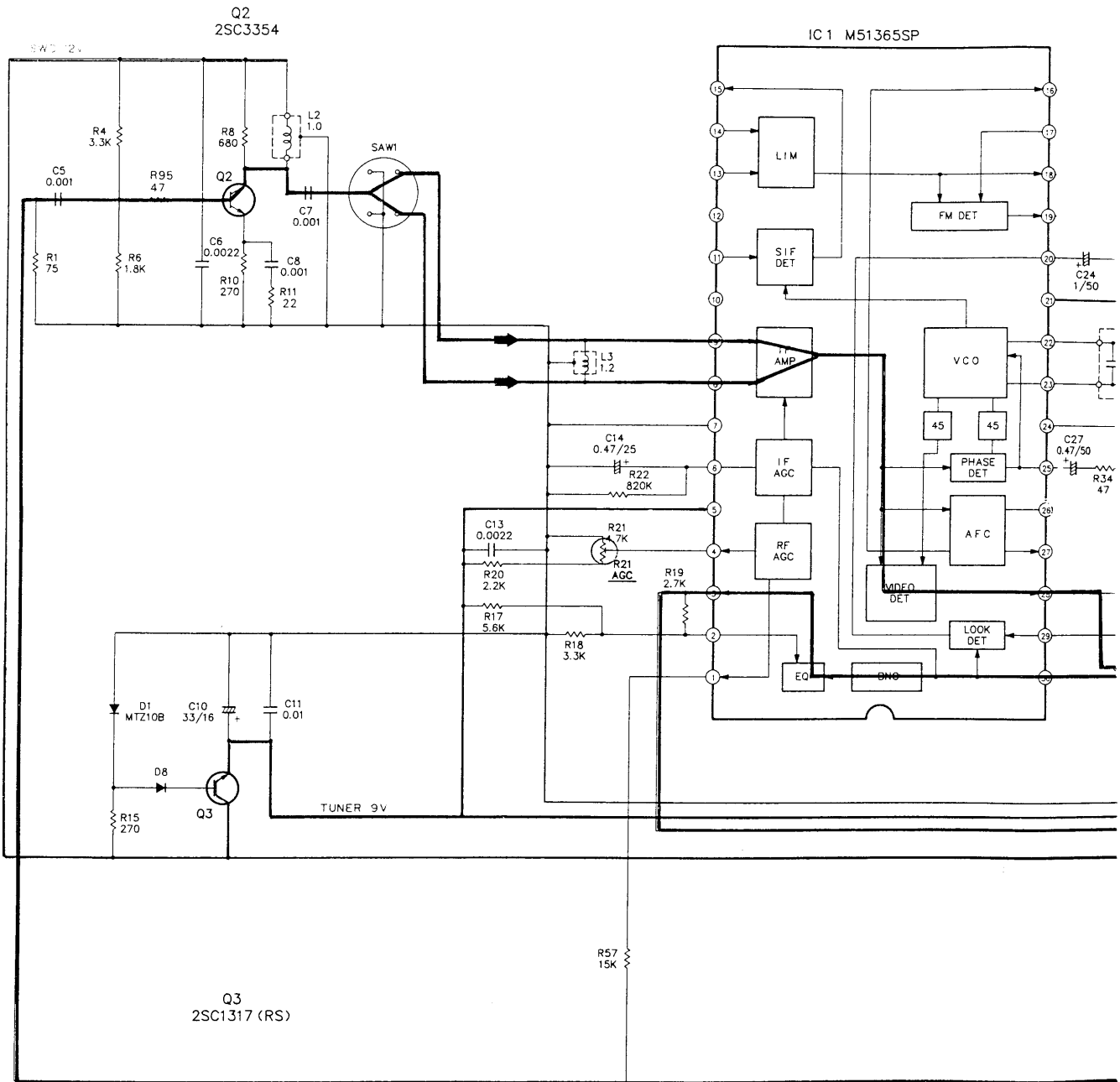
F

G

H

### 3.21 IF SCHEMATIC DIAGRAM

07 IF



A

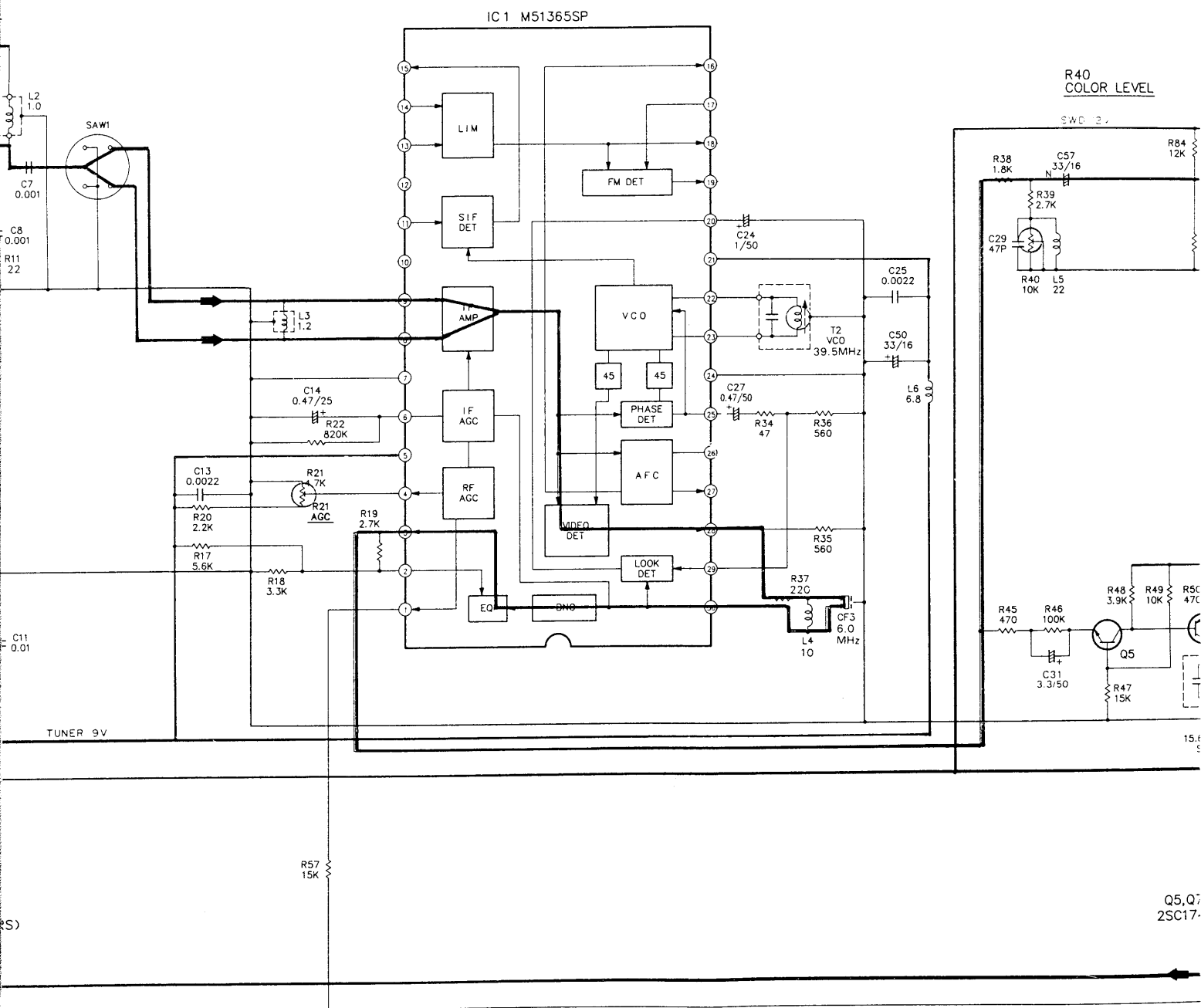
B

C

D

3-20

3-20



TUNER 9V

R40 COLOR LEVEL

SWD 2V

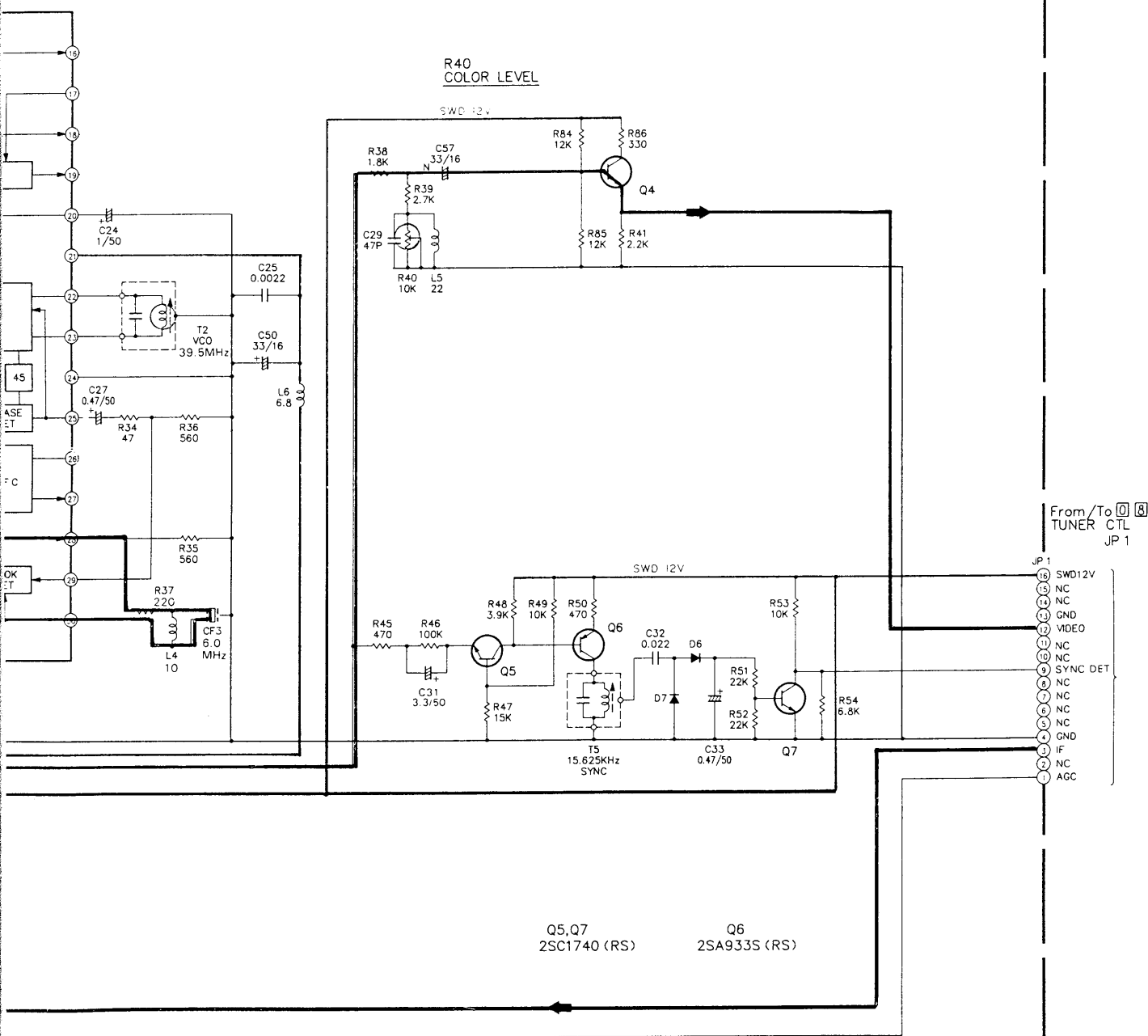
15.6

Q5, Q7  
2SC17-



Q4  
2SC1740 (RS)

R40  
COLOR LEVEL



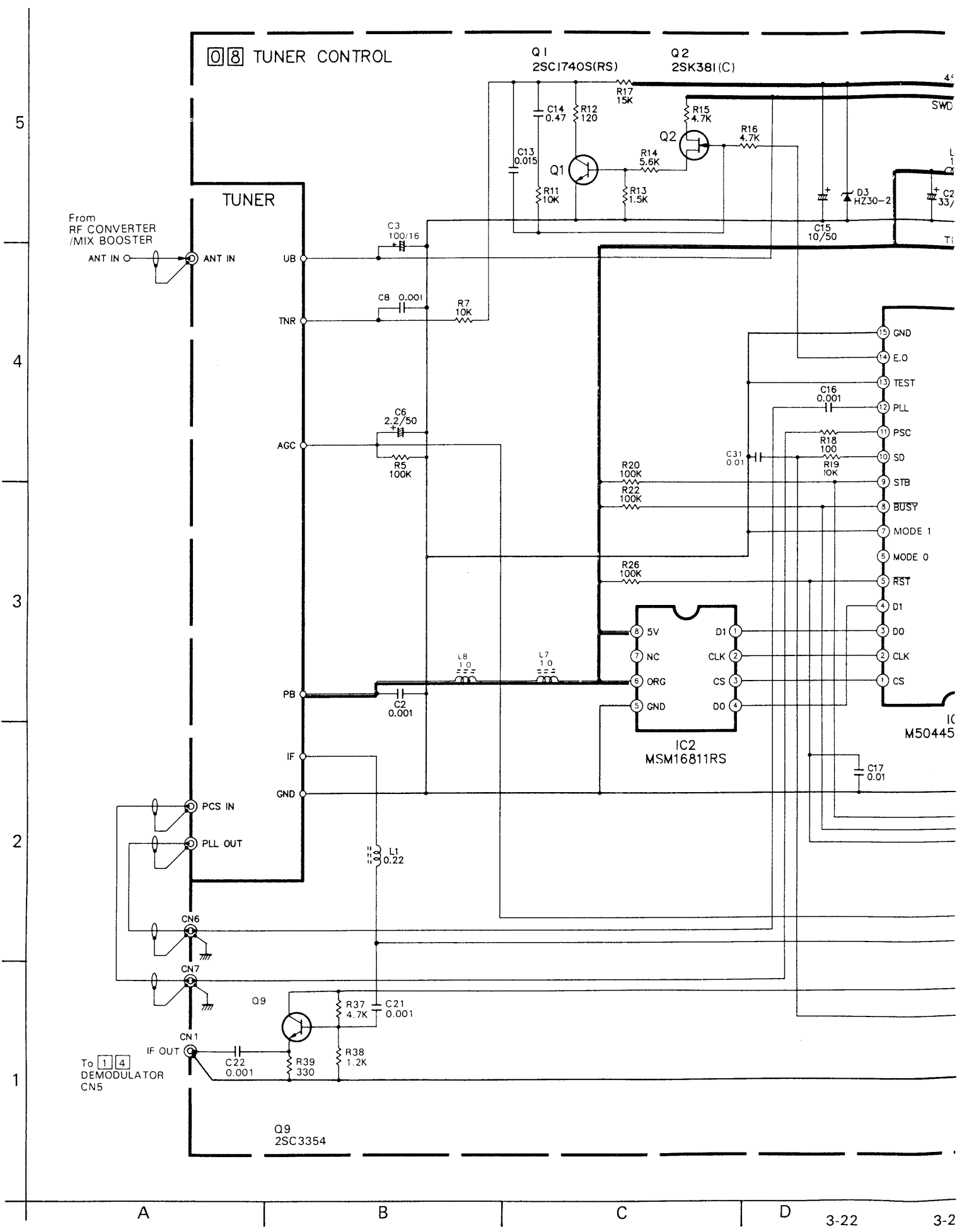
From/To 0 8  
TUNER CTL  
JP 1

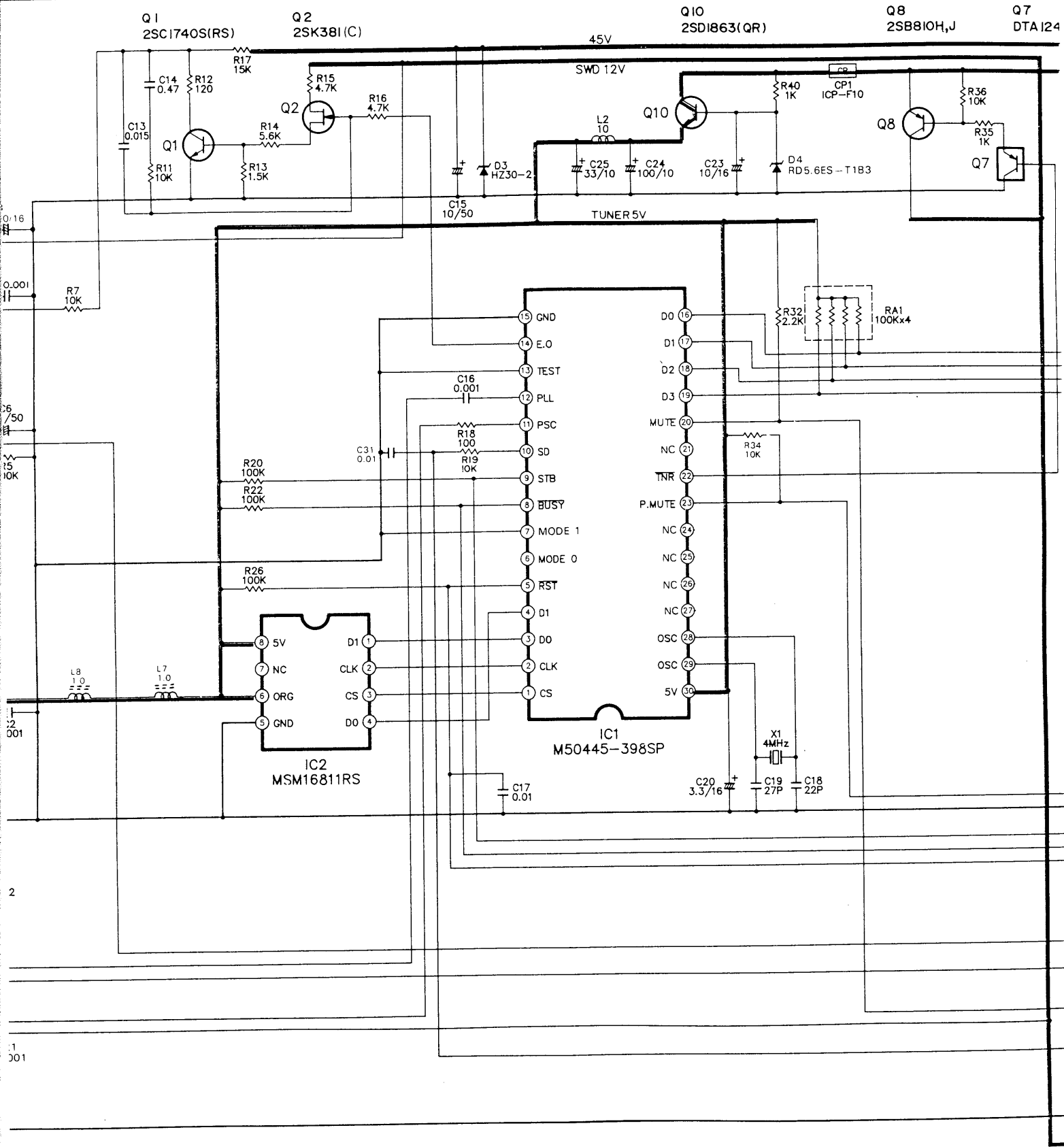
- 16 SWD12V
- 15 NC
- 14 NC
- 13 GND
- 12 VIDEO
- 11 NC
- 10 NC
- 9 SYNC DET
- 8 NC
- 7 NC
- 6 NC
- 5 NC
- 4 GND
- 3 IF
- 2 NC
- 1 AGC

Q5, Q7  
2SC1740 (RS)

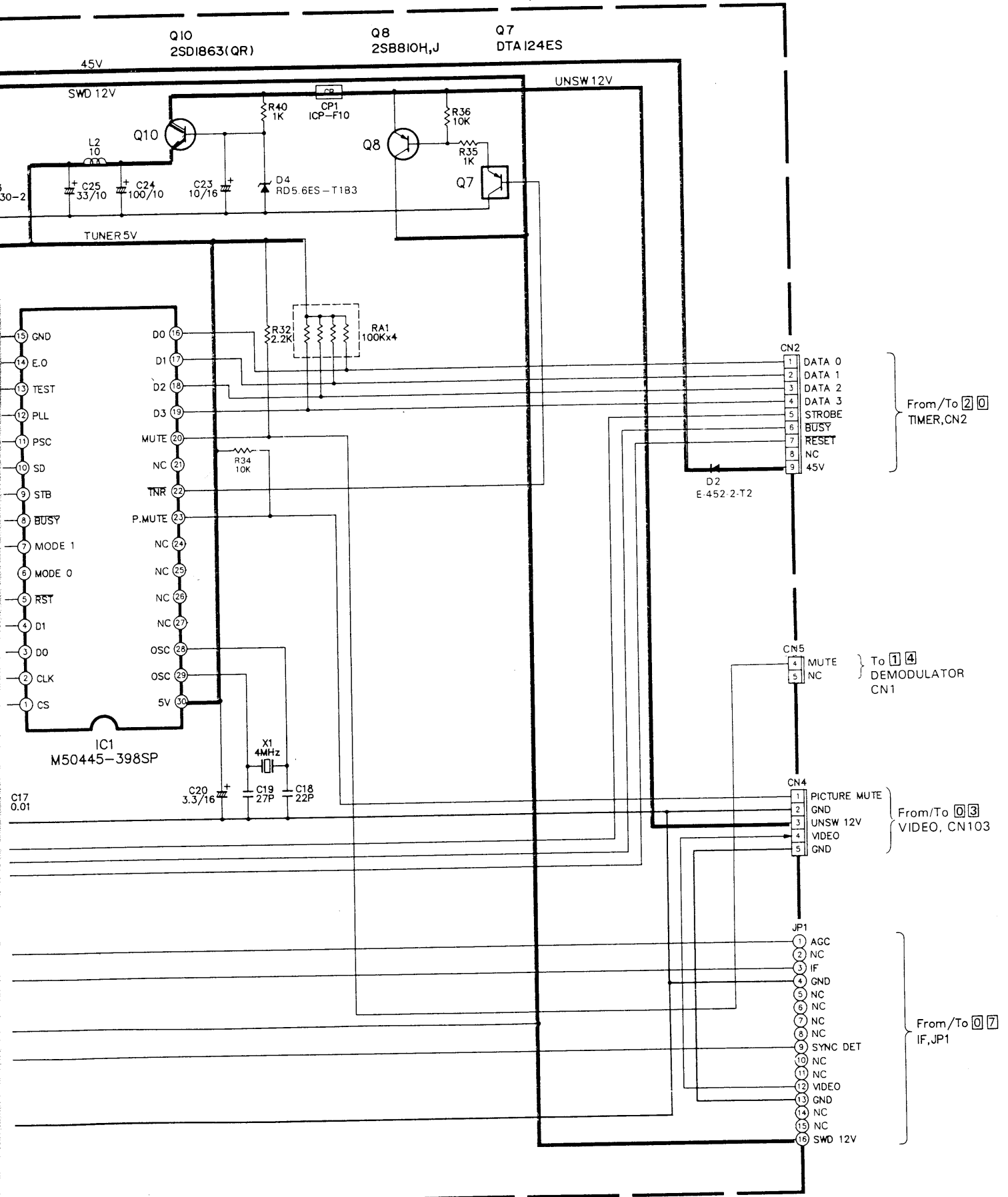
Q6  
2SA933S (RS)

### 3.23 TUNER CONTROL SCHEMATIC DIAGRAM





NOTE: Shaded ( ) parts are critical for safety. Replace only with specified part numbers.



# 3.25 DEMODULATOR SCHEMATIC DIAGRAM

1  
2  
3  
4  
5

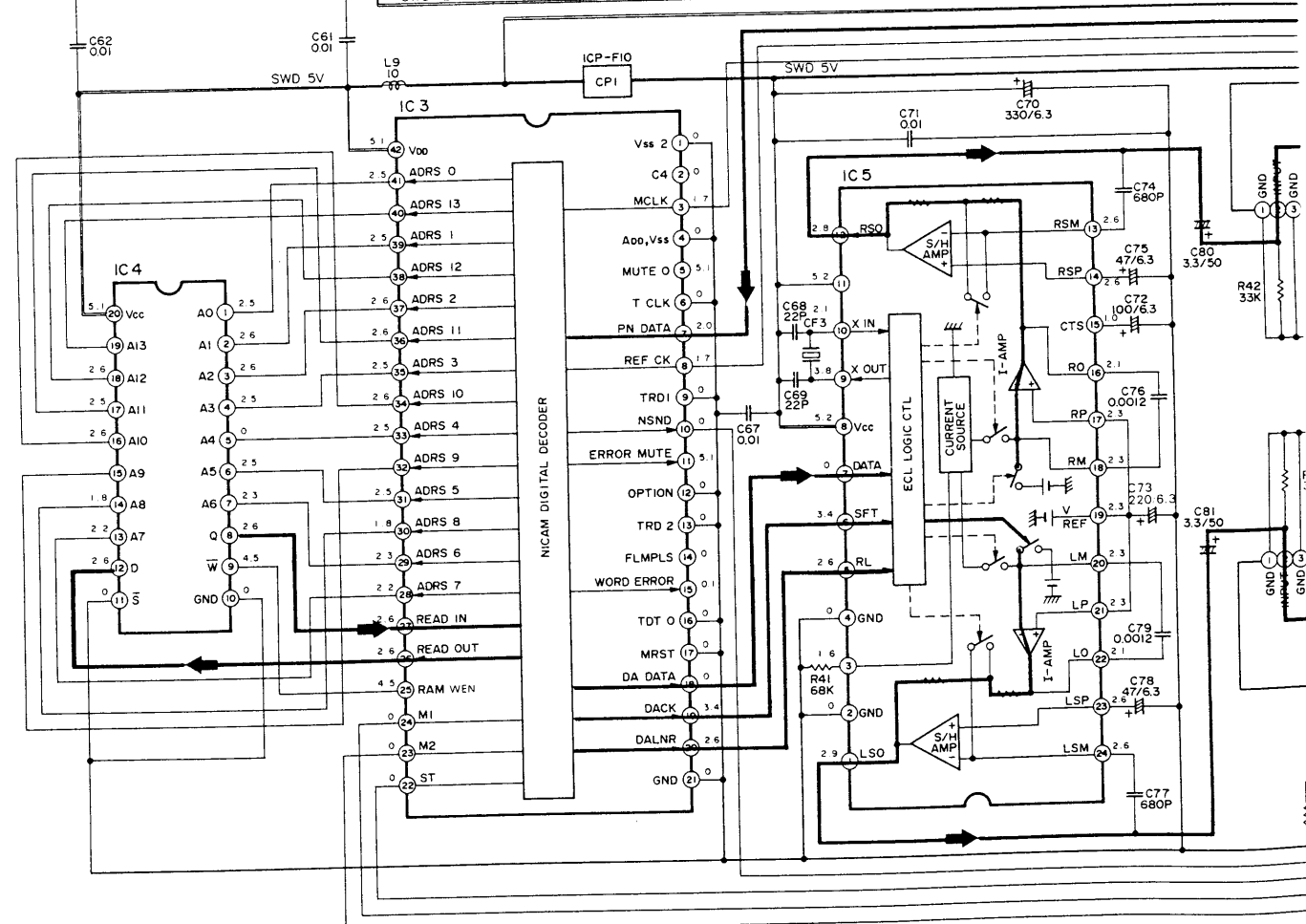
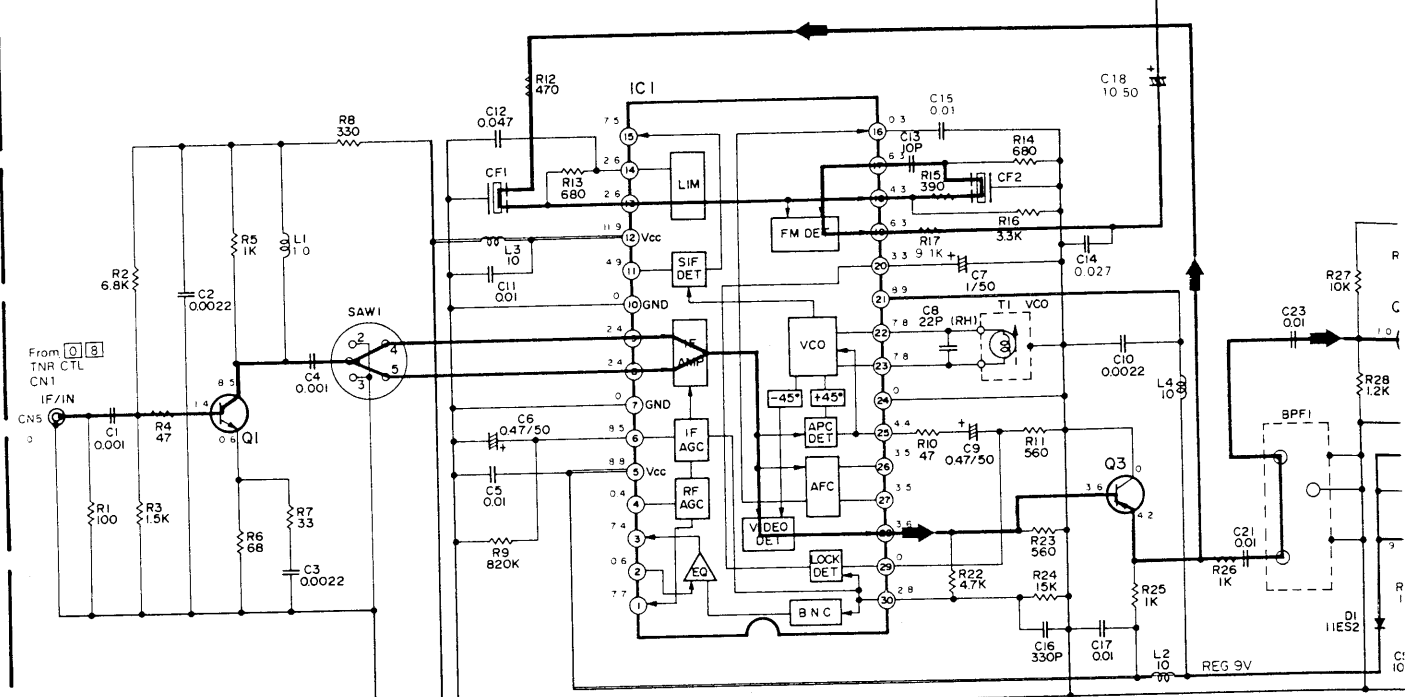
1 4 DEMODULATOR

Q1 2SC3354

IC 1 M51365SP

Q3 2SA933S(RS)

Q 2



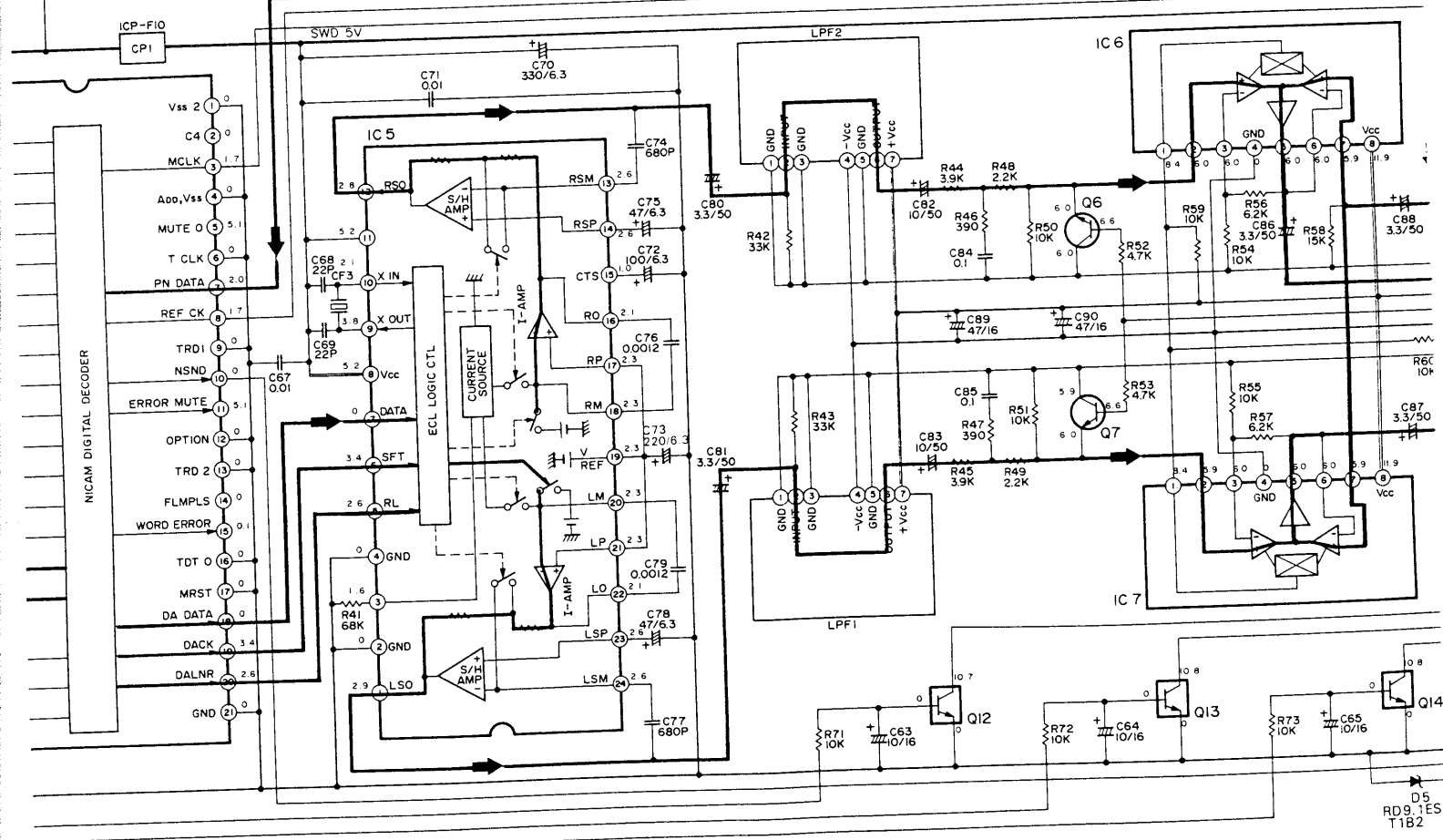
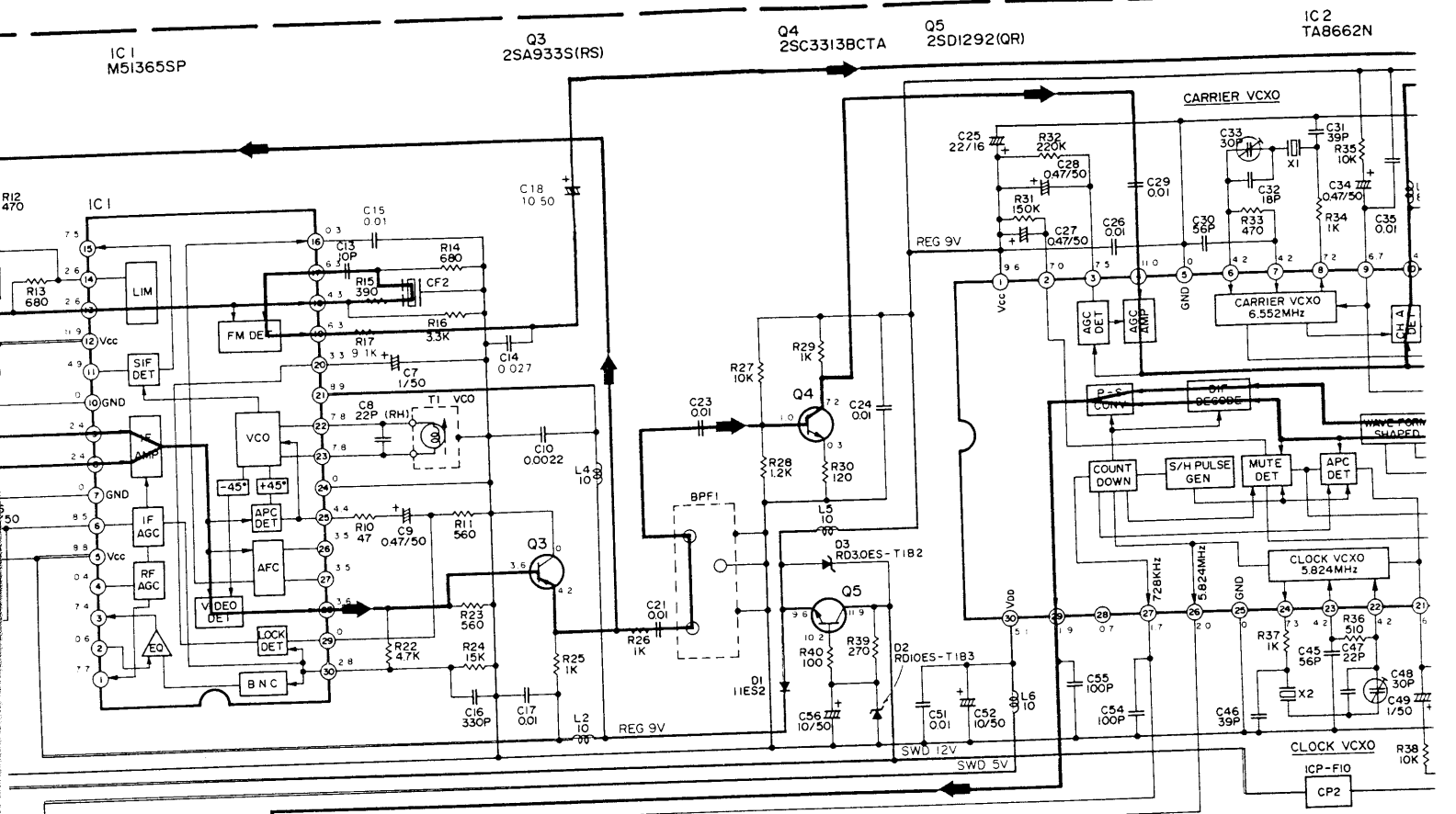
IC 4 MSM2IC67P-55

IC 3 VC 2050

IC 5 TD6710AN

A B C D 3-24 3-2

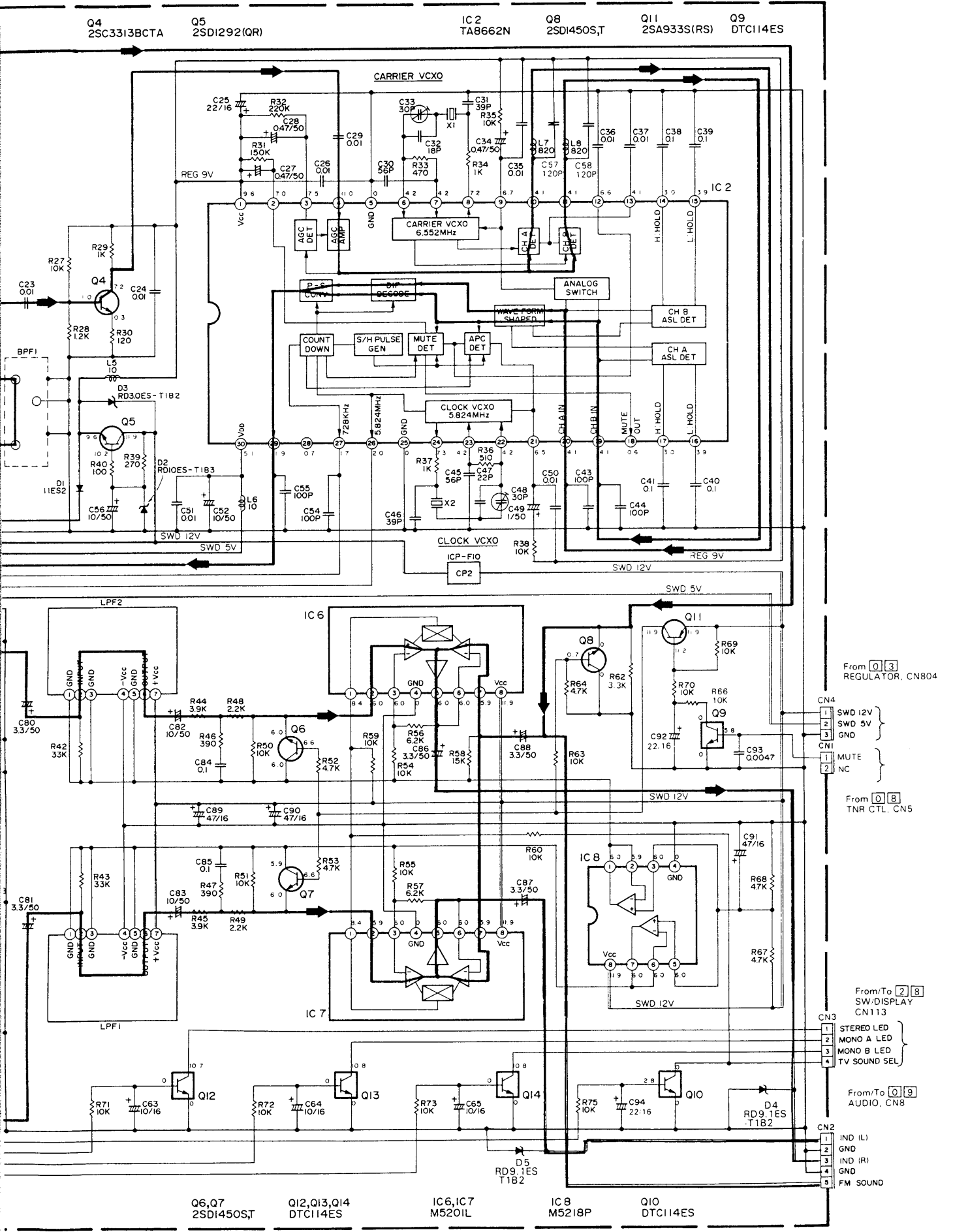
NOTE: Voltages are DC-measured with a digital vo



IC 3 VC2050      IC 5 TD6710AN      IC 6,7 2SD1450ST      IC 9,10 DTC114ES      IC 11,12 M5201L

C      D      3-24      3-24      E      F

**NOTE:**  
 Voltages are DC-measured with a digital voltmeter during stop mode.



From [0] [3]  
 REGULATOR, CN804

From [0] [8]  
 TNR CTL, CN5

From/To [2] [8]  
 SW/DISPLAY  
 CN113

From/To [0] [9]  
 AUDIO, CN8

CN2  
 1 IND (L)  
 2 GND  
 3 IND (R)  
 4 GND  
 5 FM SOUND

# 3.27 TIMER SCHEMATIC DIAGRAM

20 TIMER

IC1  
UPD75216ACW-163

5

4

3

2

1

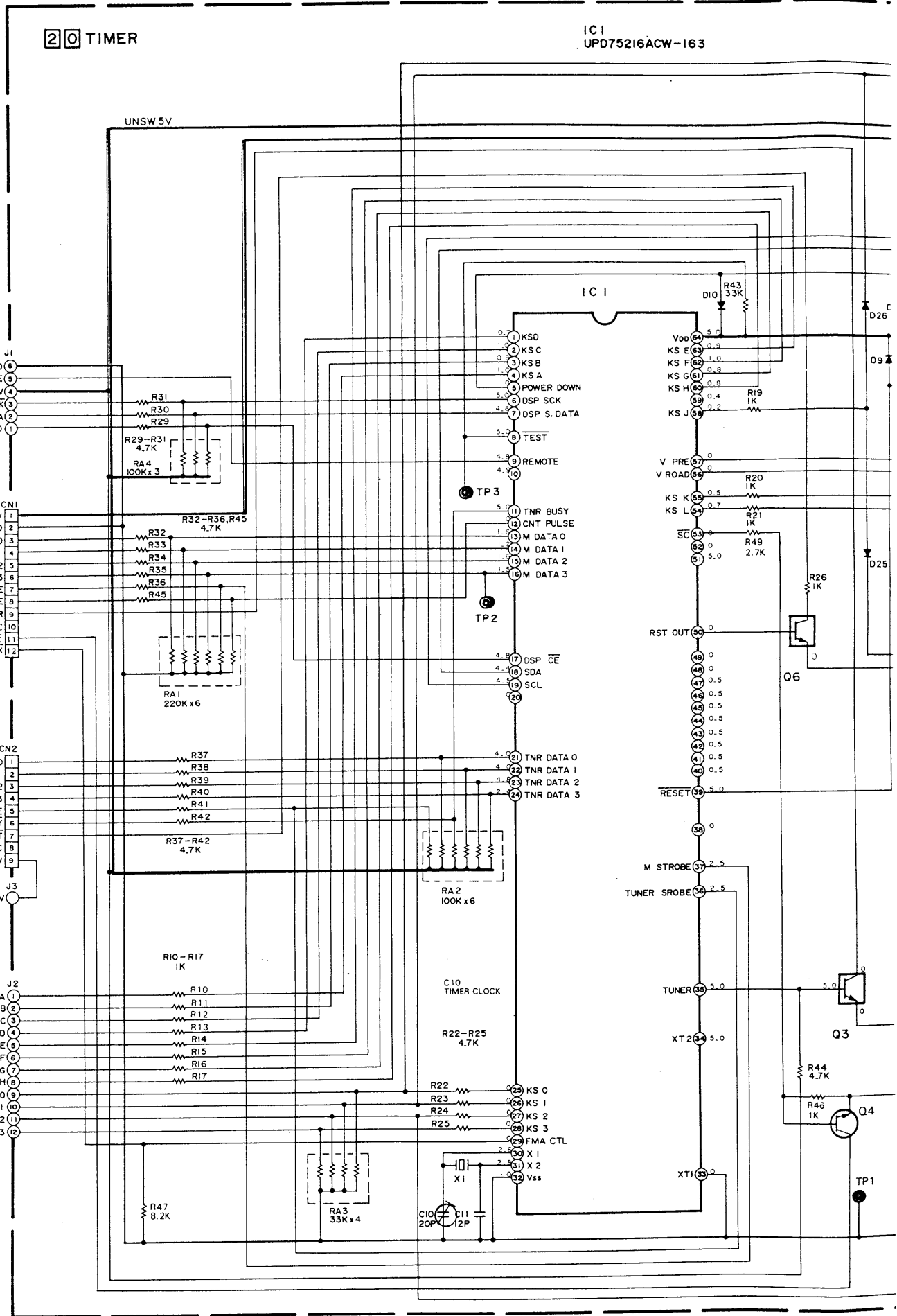
From/To 2 8  
SWITCH/DISPLAY  
J1

From/To 0 3  
MECHACON  
CN603

From/To 0 8  
TNR CTL  
CN2

From 2 8  
SWITCH/DISPLAY  
J3

From/To 2 8  
SWITCH/DISPLAY  
J2

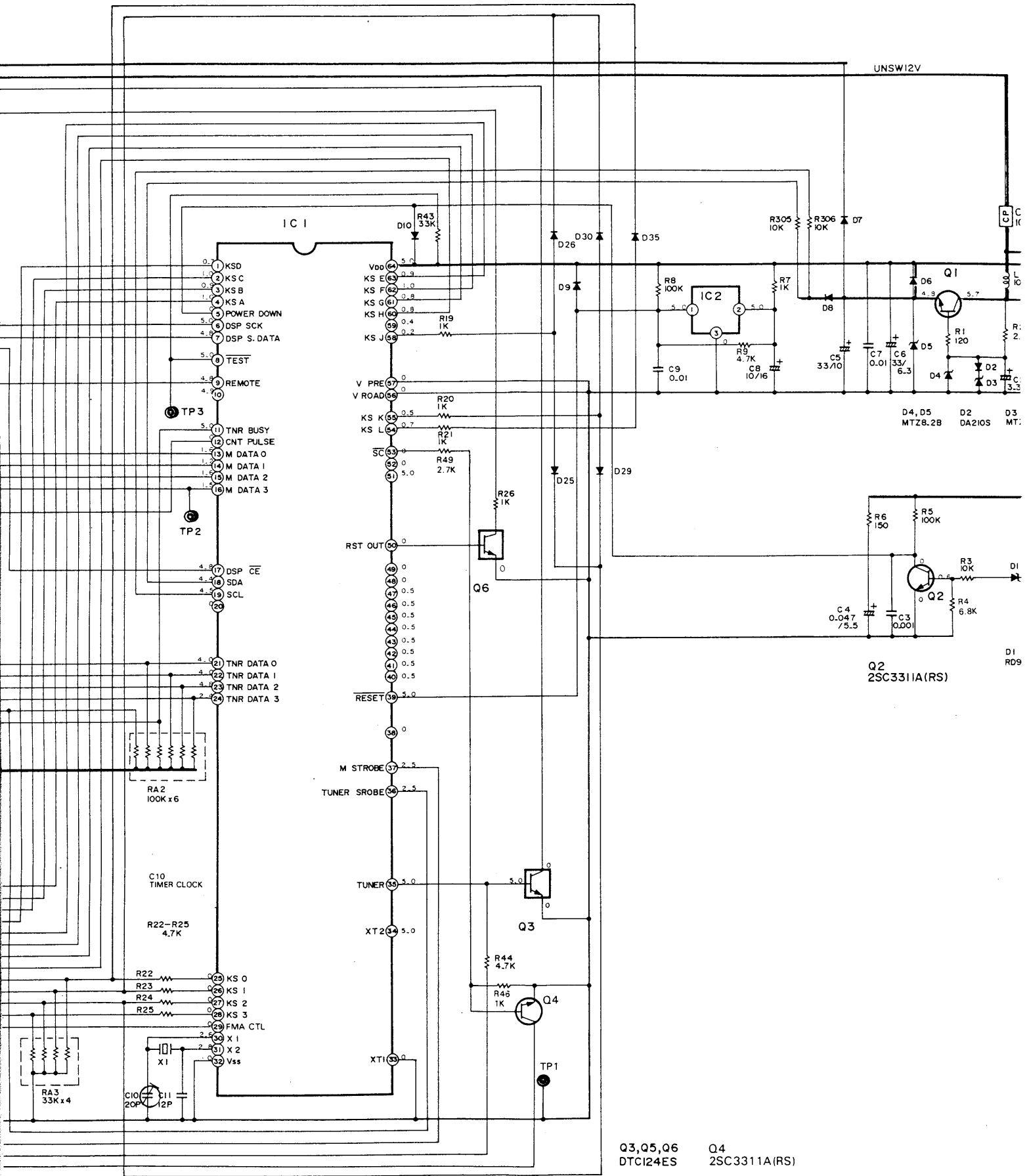




IC1  
UPD75216ACW-163

IC2  
S-8053HNB

Q1  
2SD1863(QR)



D4, D5  
MTZ8.2B

D2  
DA210S

D3  
MT:

D1  
RDS

Q2  
2SC3311A(RS)

Q3, Q5, Q6  
DTC124ES

Q4  
2SC3311A(RS)

C

D

3-26

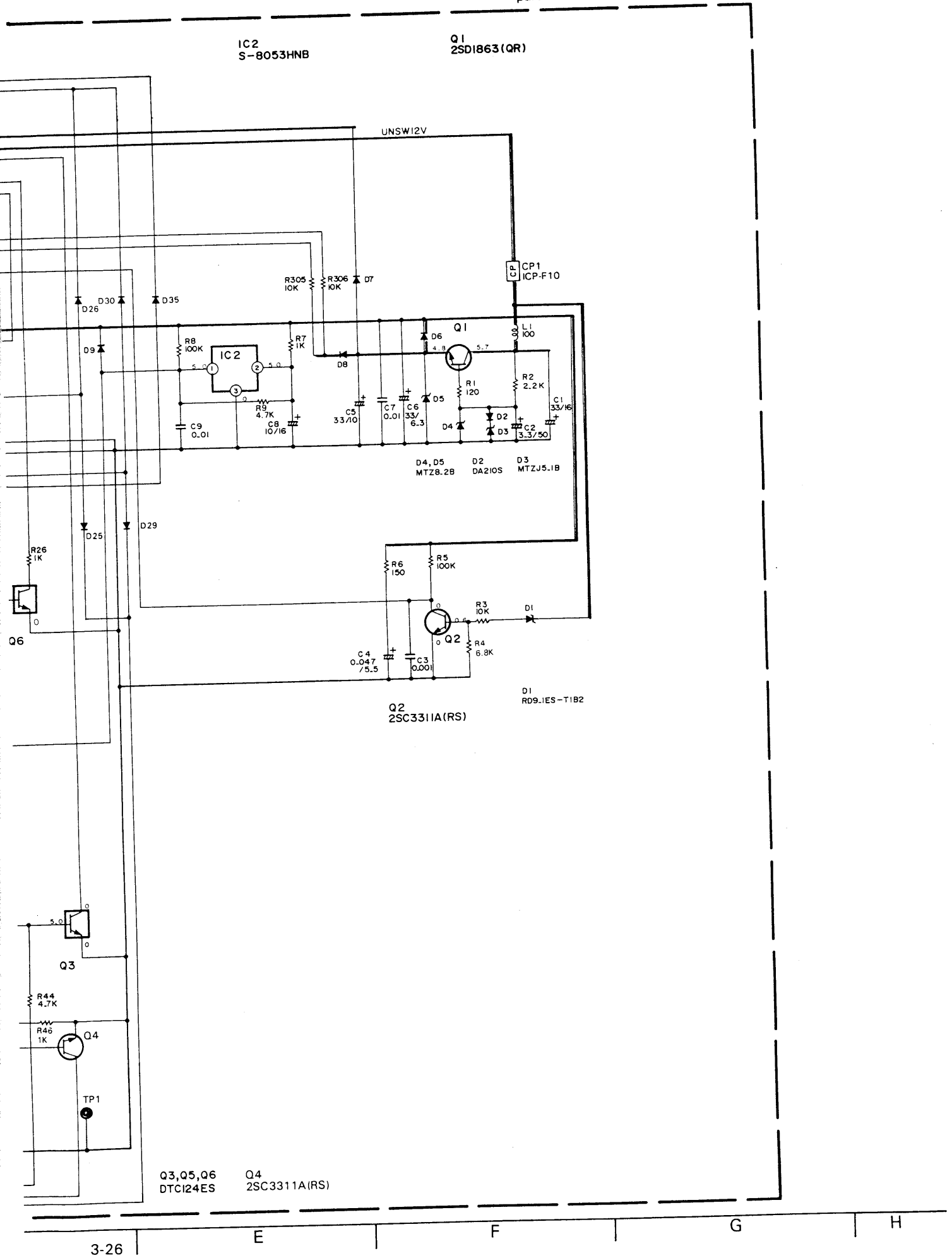
D

3-26

E

F

NOTE: Shaded (▨) parts are critical for safety. Replace only with specified part numbers.



### 3.29 SWITCH/DISPLAY AND OPERATION SCHEMATIC DIAGRAMS

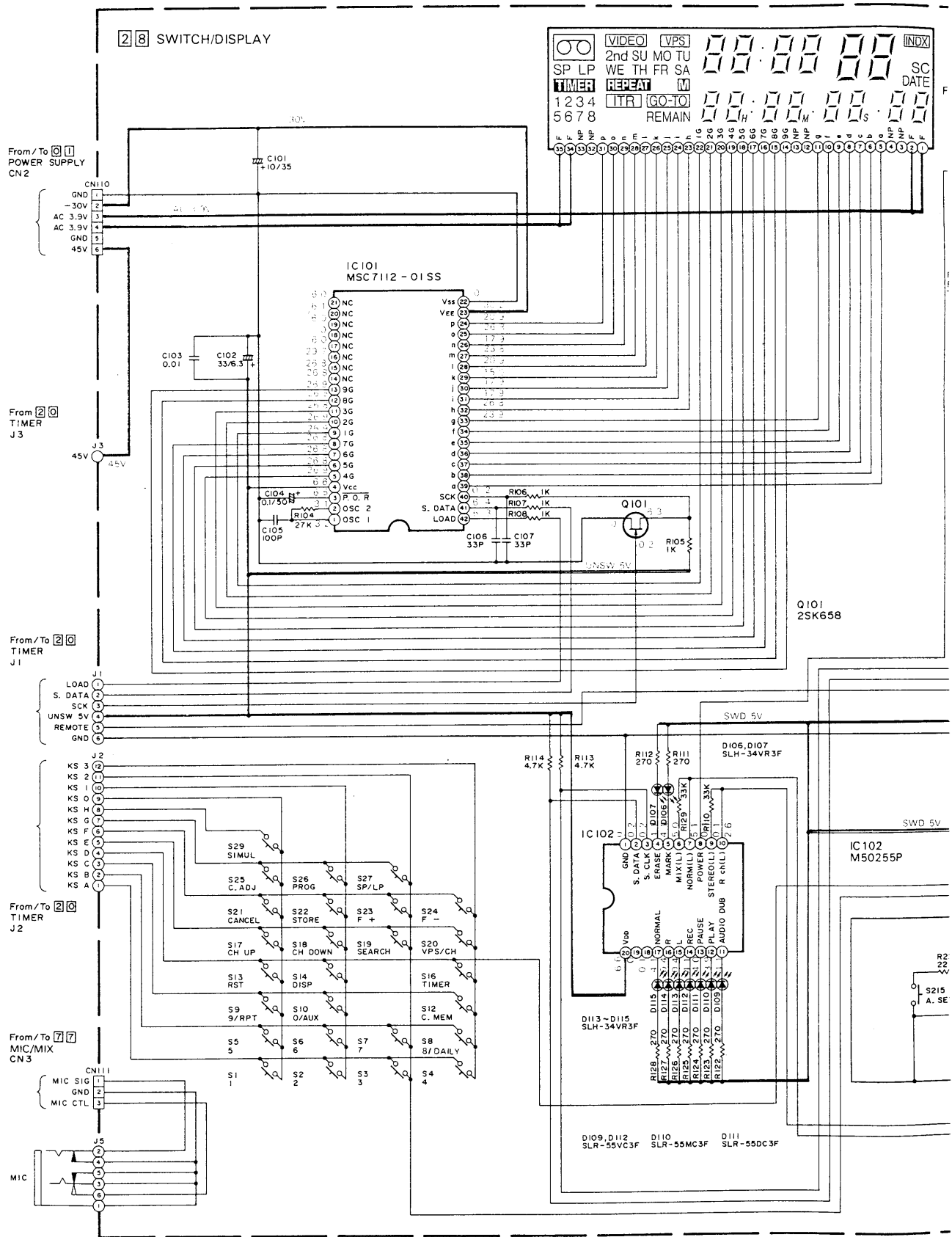
5

4

3

2

1



A

B

C

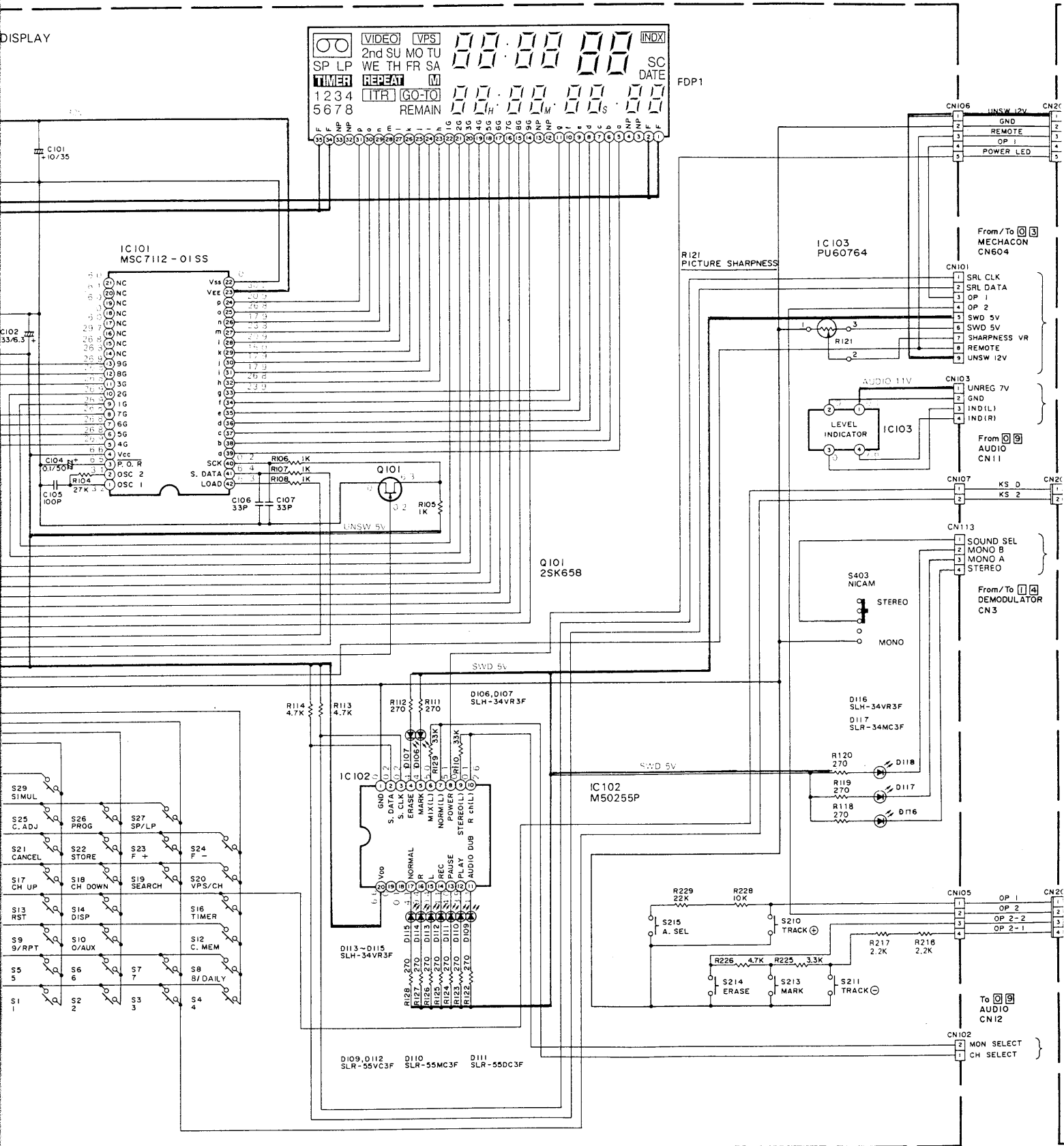
D

3-28

3-2E

OPERATION SCHEMATIC DIAGRAMS

DISPLAY



B

C

D

3-28

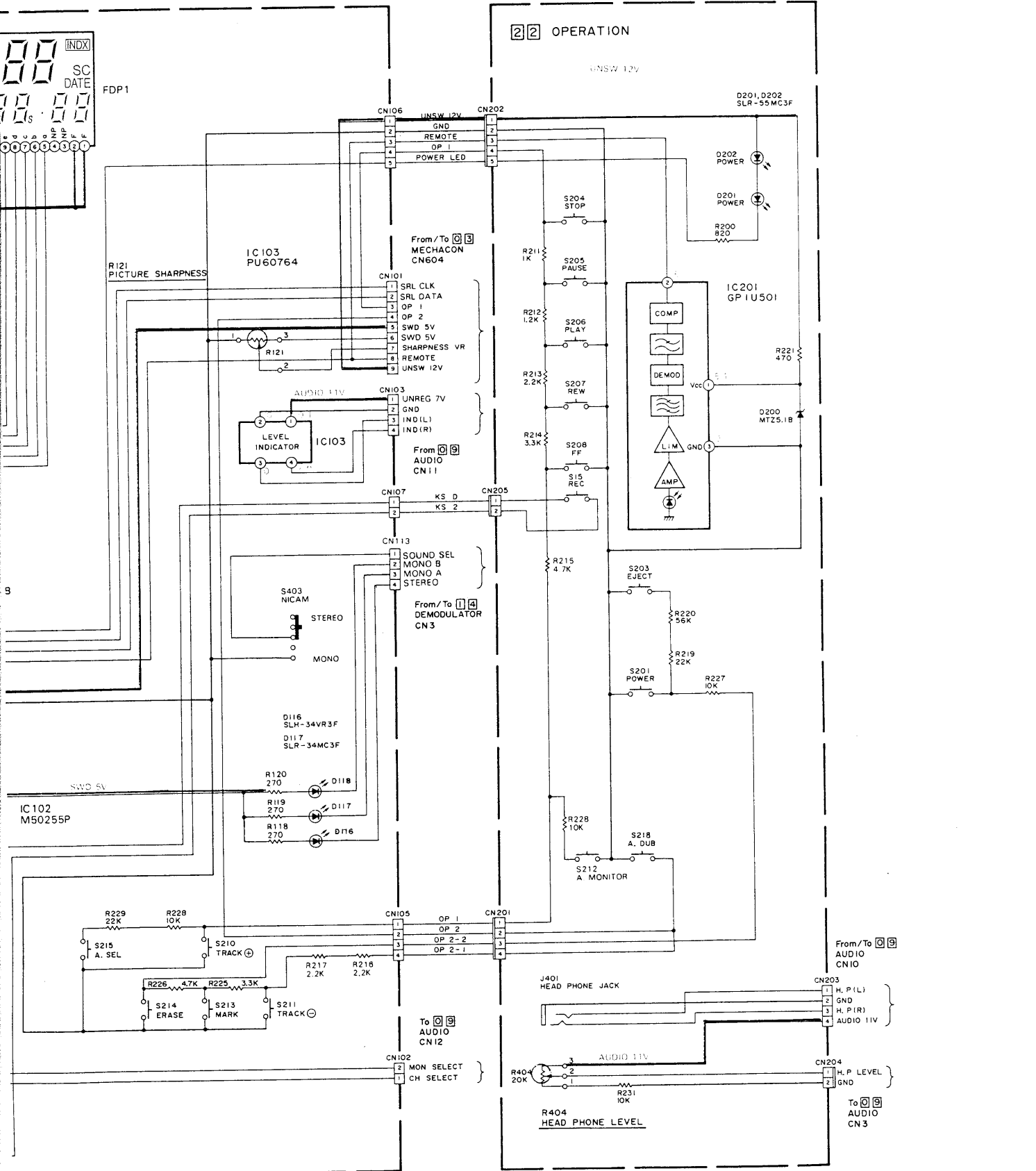
3-28

E

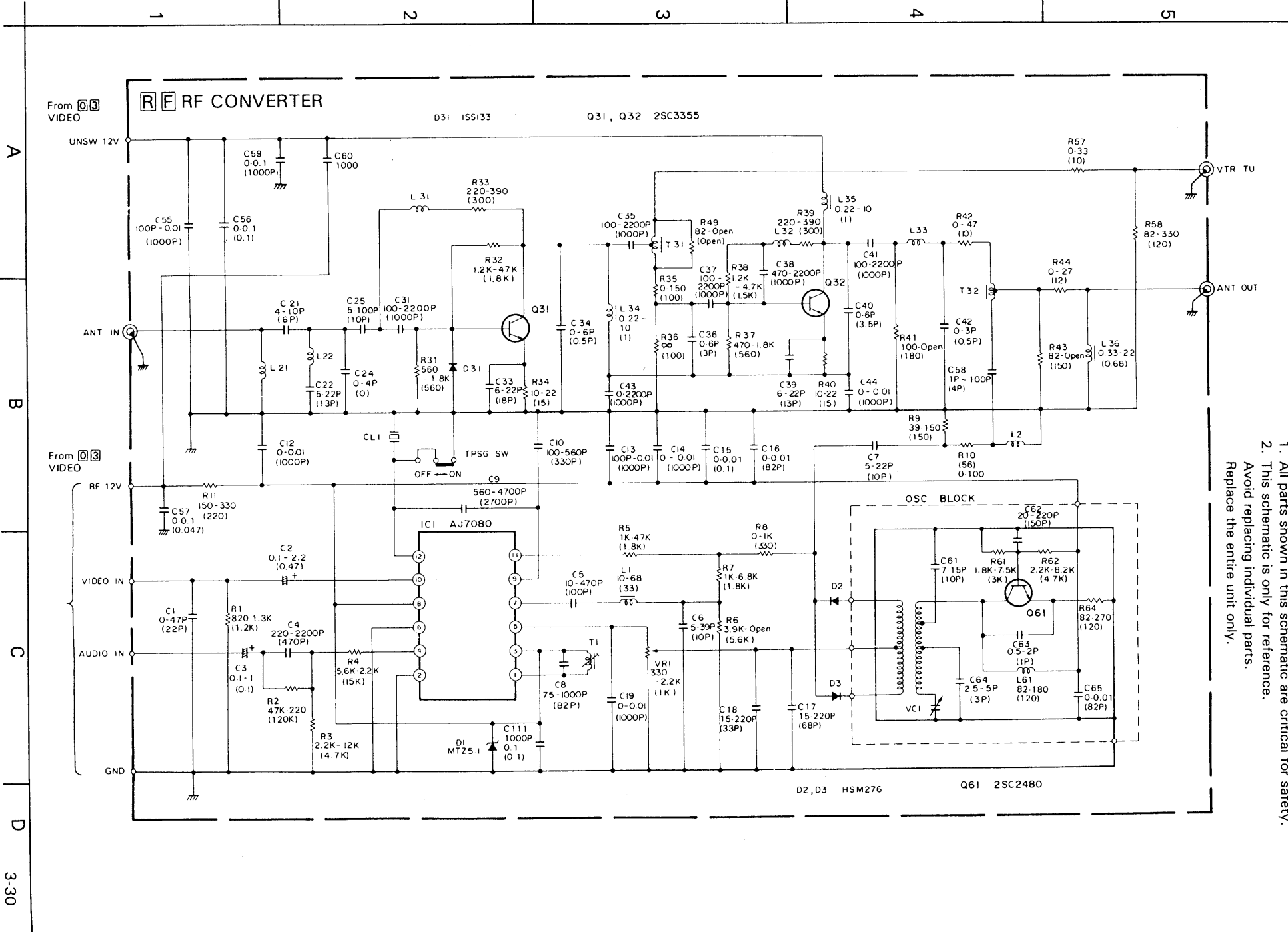
00 INDX  
 SC DATE  
 00s 00

22 OPERATION

GNSW 12V



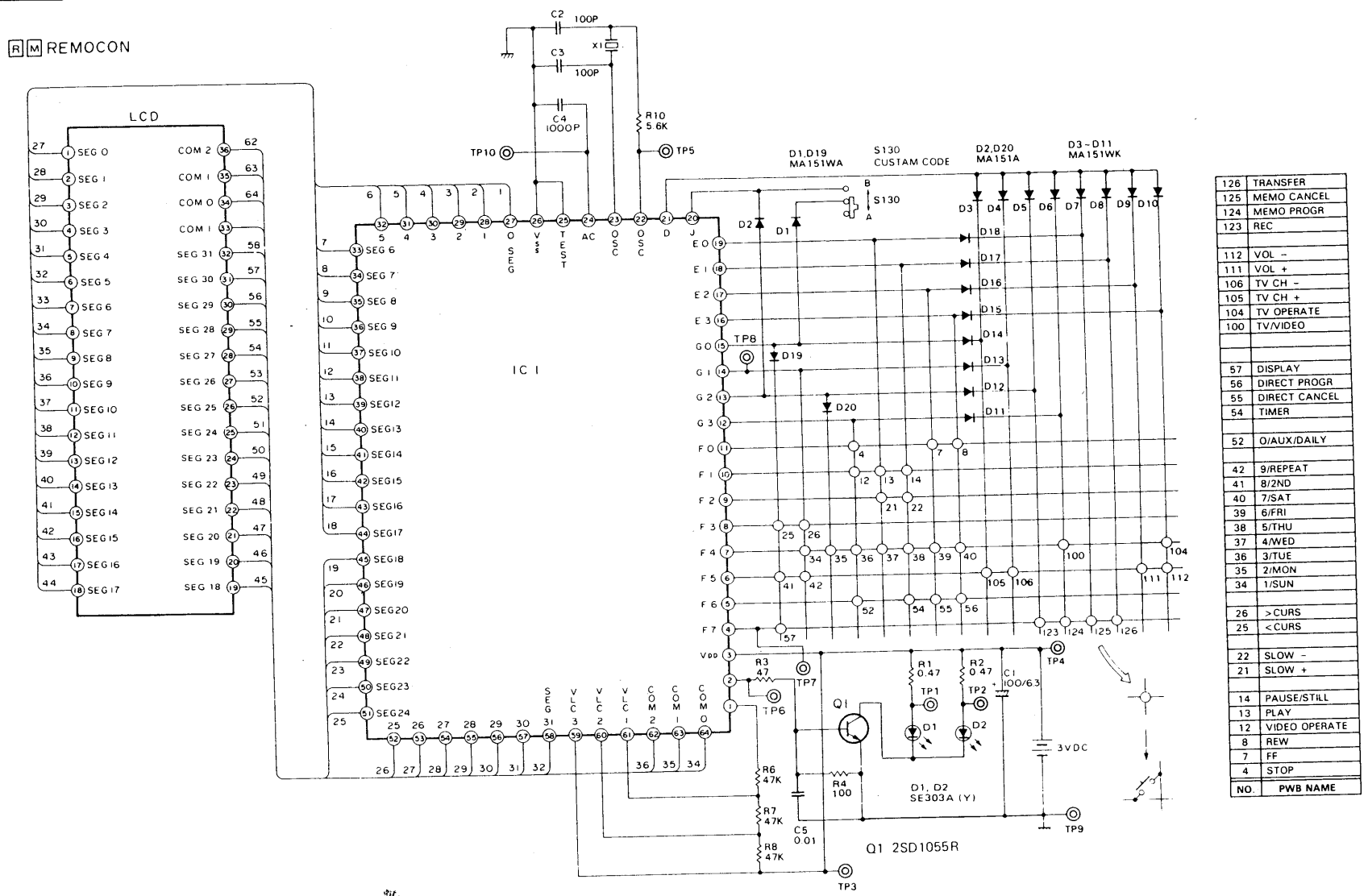
3.31 RF CONVERTOR AND MIX BOOSTER SCHEMATIC DIAGRAM



- NOTES:
1. All parts shown in this schematic are critical for safety.
  2. This schematic is only for reference. Avoid replacing individual parts. Replace the entire unit only.

### 3.32 REMOTE CONTROL SCHEMATIC DIAGRAM

NOTES: 1. All parts shown in this schematic are critical for safety.  
 2. This schematic is only for reference.  
 Avoid replacing individual parts.  
 Replace the entire unit only.



3-30 E F G H